



C-Series

PRESSURE

Short Form Data Sheet

BETA products are manufactured in The Netherlands

Enclosures:

Cast Aluminum:

Oven baked powder coating
hammertone grey

Also available in SS 316

Wheaterproof IP 66 -
EN 60529

(Nema 4X)

Repeatability:

typical 0.2% of Full Scale

Standard unit: Barg

Optional: PSI / Kg / Pa

Standard process conetion:
1/4" NPT F or BSP F

Standard Diaphragm/O-ring:
Buna N / Buna N

For wetted parts:
more possibilities available,
see full catalogue

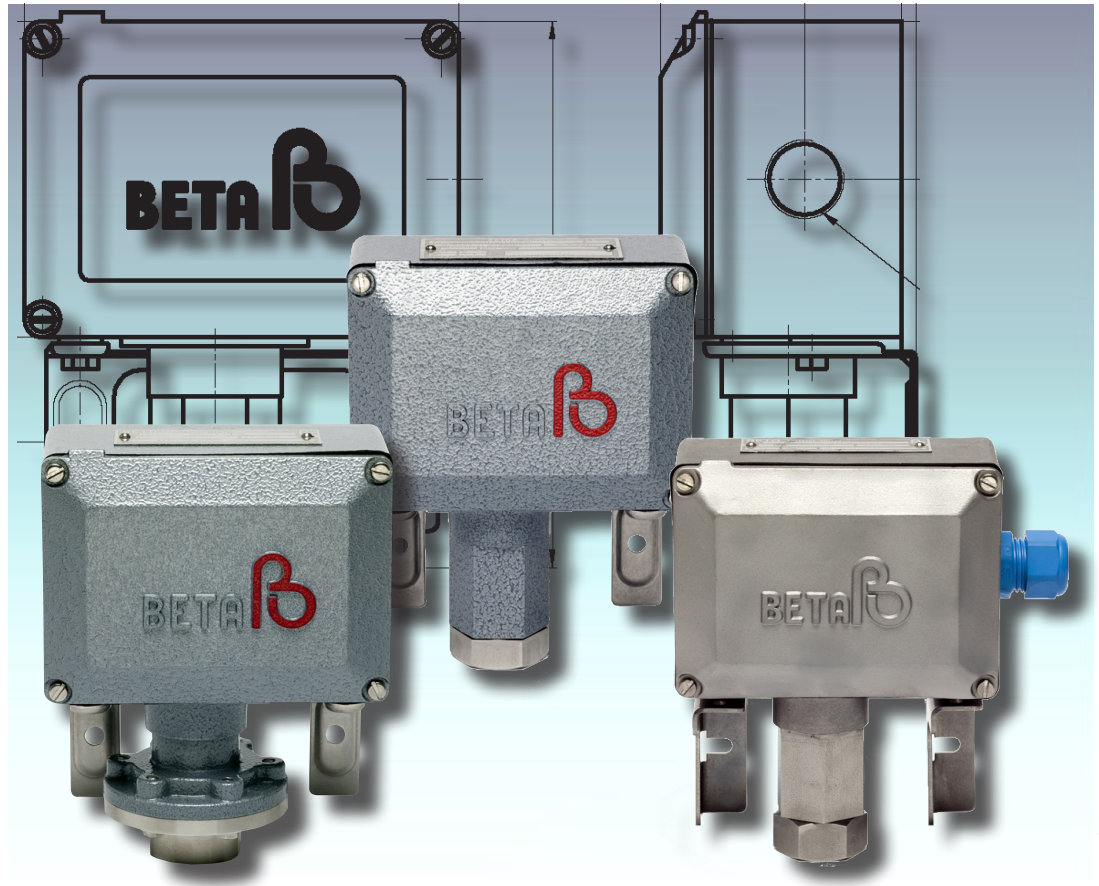
**BETA SWITCHES ARE,
BUILD TO LAST!**

Do you want to know more:

Please contact your local dealer
and ask for the General Bulletin.
Or contact us directly!



www.beta-b.nl



Ranges for Pressure swiches

| RANGE CODE | ADJ. RANGE mBar/ Bar | ADJ. RANGE PSI / Inch WC | ADJ. RANGE Kpa/ MPa | ADJ. RANGE Kg/cm2 / mmH2O |
|-----------------------|-------------------------|-----------------------------|------------------------|------------------------------|
| P 301 L ¹⁾ | 2 - 15 mBar | 0.8 - 6 InchWC | 0.2 - 1.5 kPa | 20 - 150 mmH2O |
| P 302 L ¹⁾ | 10 - 100 mBar | 4 - 39 InchWC | 1 - 10 kPa | 100 - 1000 mmH2O |
| P 304 L | 20 - 240 mBar | 8 - 94 InchWC | 2 - 24 kPa | 200 - 2400 mmH2O |
| P 306 L | 20 - 560 mBar | 8 - 220 InchWC | 2 - 56 kPa | 200 - 5600 mmH2O |
| P 308 L | 25 - 1300 mBar | 10 - 510 InchWC | 2.5 - 130 kPa | 250 - 13000 mmH2O |
| P 402 M | 100 - 400 mBar | 1.5 - 5.8 PSI | 10 - 40 kPa | 0.1 - 0.41 Kg/cm2 |
| P 404 M | 100 - 950 mBar | 1.5 - 14 PSI | 10 - 95 kPa | 0.1 - 0.97 Kg/cm2 |
| P 406 M | 120 - 2300 mBar | 1.7 - 33 PSI | 12 - 230 kPa | 0.12 - 2.3 Kg/cm2 |
| P 408 M | 150 - 5400 mBar | 2.1 - 78 PSI | 15 - 540 kPa | 0.15 - 5.45 Kg/cm2 |
| P 502 H | 0.3 - 1.6 Bar | 4.4 - 23 PSI | 0.03 - 0.16 MPa | 0.3 - 1.60 Kg/cm2 |
| P 504 H | 0.4 - 3.5 Bar | 5.8 - 51 PSI | 0.04 - 0.35 MPa | 0.4 - 3.5 Kg/cm2 |
| P 506 H | 0.5 - 9.0 Bar | 7.3 - 130 PSI | 0.05 - 0.9 MPa | 0.5 - 9.2 Kg/cm2 |
| P 508 H | 0.7 - 21.5 Bar | 10 - 310 PSI | 0.07 - 2.15 MPa | 0.7 - 22 Kg/cm2 |
| P 706 H | 2.5 - 32 Bar | 36 - 464 PSI | 0.25 - 3.2 MPa | 2.5 - 33 Kg/cm2 |
| P 708 H | 3.0 - 76 Bar | 44 - 1100 PSI | 0.3 - 7.6 MPa | 3.1 - 77 Kg/cm2 |
| P 808 H | 4.0 - 170 Bar | 58 - 2500 PSI | 0.4 - 17 MPa | 4 - 170 Kg/cm2 |
| P 908 H | 10 - 300 Bar | 150 - 4400 PSI | 1 - 30 MPa | 10 - 310 Kg/cm2 |
| P 909 H | 10 - 350 Bar | 150 - 5100 PSI | 1 - 35 MPa | 10 - 360 Kg/cm2 |

¹⁾ Only available with L1 -microswitch element. K1 possible consult factory).

Disclaimer: We reserve the right to make changes or modify the contents of this document without prior notice. BETA B.V. does not accept any liability or claim whatsoever for potential errors, incorrect interpretation or possible lack of information in this document. It is clearly and only intended as coarse and general information of our products.

More Short Form Data Sheets on Vacuum, Differential and Temperature Switches are available.

Doc. no.: SP 400/1307/5K-(FC)

Making the modelcode: Follow steps 1 to 5

1 Selection of enclosure type.

| Conduit | Material | Enclosure code |
|-----------------|-----------|----------------|
| Pg13.5 | Aluminium | C1 |
| M20x1.5 | Aluminium | C2 |
| 3/4" NPT F | Aluminium | C3 |
| 1/2" NPT F | Aluminium | C4 |
| M20x1.5 | SS 316 | C8 |
| Other/ Specials | Aluminium | CX |
| | SS 316 | CX |

2 Selection of range code, see front page

3 Selection of process connection.

| Size | Material | Code |
|-----------|-------------|------------|
| 1/4"NPT F | Aluminium * | A1N |
| 1/2"NPT F | Aluminium * | A2N |
| 1/4"NPT F | SS316 | S1N |
| 1/2"NPT F | SS316 | S2N |
| 1/2"NPT M | SS316 | S7N |

* Aluminum only, std on P.L. - **Not available** on other ranges.

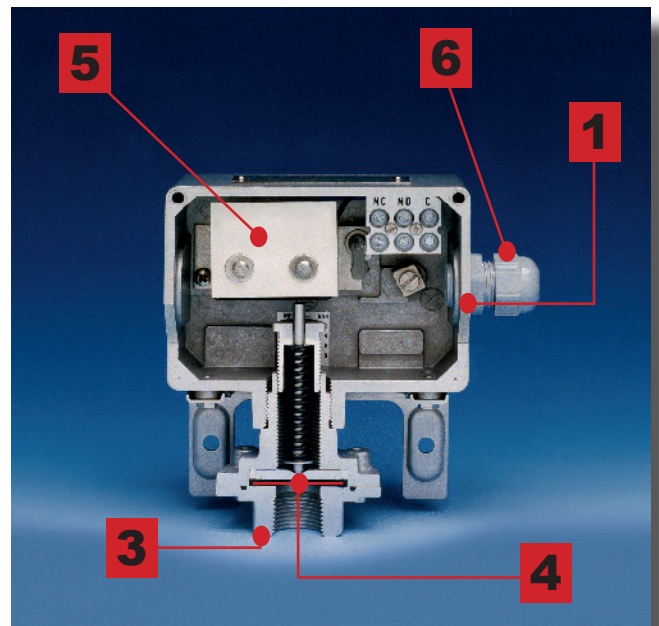
Above standard process connections are also available in: "**BSP**"
For example: 1/2" BSP F (3316) = S2B

Process connections are also available in other materials like, Monel, PVC, Hastolloy, Titanium etc.

4 Selection of wetted parts*

| Diaphragm | O-ring | Code |
|-----------|--------|-----------|
| Buna N | Buna N | B1 |
| Viton | Viton | V2 |
| SS316 | Buna N | S1 |
| SS316 | Viton | S2 |
| SS316 | Teflon | S4 |
| SS316 | EPDM | S6 |
| SS316 | Welded | S0 |

* **WETTED PARTS ARE NOT GUARANTEED,** against corrosion or permeation since processes vary from plant to plant and concentration of harmful fluids, gasses or solids vary from time to time in a given process. Empirical experience by users should be the final guide and alternate materials based on this are generally available. The diaphragm / O-Ring combinations are for process temperatures of -5°C to +90°C, unless otherwise indicated. For process temperatures beyond these limits please contact your BETA Switch Representative



5 Selection of microswitches

| Rating | | Use: | Switch Code: |
|-----------|-----------|---|--------------|
| VAC. | VDC. 3) | | |
| 480/ 15A | 28/ 0.5A | Standard | K1 2) |
| 480/ 10A | 28/ 0.5A | Standaard for L-serie | L1 2) |
| 480/ 15A | 125/ 0.5A | Normal DC-service | U1 |
| 125/ 1A | 28/ 0.5A | For use in H ₂ S environment and/or for (EEx) applications. 3) | Y1 |
| 250/ 0.1A | 30/ 0.1A | | G1 ** |
| 250/ 0.1A | 30/ 0.1A | Environmental proof(IP 67) | O1 |
| 250/ 2A | 30/ 2A | | N1 |

1) For D.P.D.T action, second code figure should be specified as "**2**"
For example: K1 = S.P.D.T./ K2 = D.P.D.T

2) VDE certified acc. to DIN EN 61 058-1:1992+A1:1993.

3) Indicated ratings are for resistive DC load only.

** DC Rating not U.L. listed, although experience and third party testing confirm the D.C Voltage ratings. Consult your local BETA switch Representative.

6 Selection of options

| Description | Option code |
|--|-------------|
| Cable gland | C |
| Intrinsically Safe Application (EEx i) | I |
| Vacuum Protection Plate | M |

Accessoires:

2" Pipe mount bracket set available.

Contents :

2 x bolts M6 x 100 mm + washer + nut
 Size +/- 1,5 mm / Material SS 304