

# Sight Flow Indicators (straight line) with Flap

with *pipe - thread* connection **BSP (G)** or **NPT**

Cast Iron GG 25 ( EN-GJL-250 ) max. 16 bar  
 Cast Steel GS-C 25 ( 1.0619 / GP240GH )  
 Stainless Steel WN 1.4408



Bauform 881-K

## Application:

The flow indicators are used for optical control of fluids and gases, for horizontal and vertical pipelines.

## Installation:

Flow direction horizontal or vertical from bottom to top

## Operating conditions:

Working pressure: max. 16 / 25 / 40 bar  
 Working temperature: max. 150°C or 280°C

## Certificate: (Option)

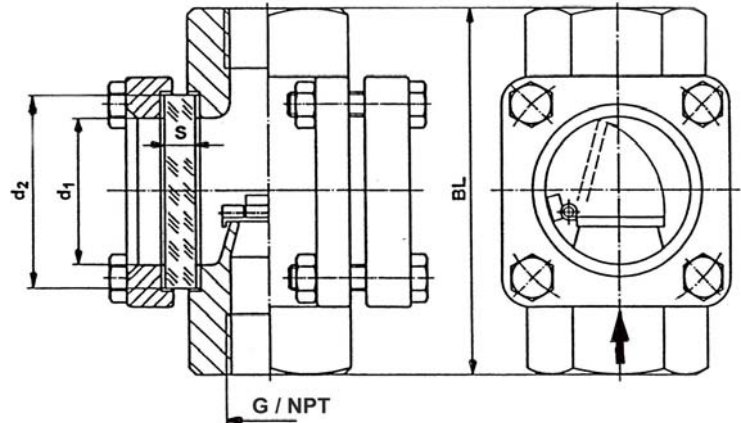
Acc. to EN 10204-2.2 or 3.1

## Options:

- Spinner
- Sight glass light - fittings

## Materials:

Body	<b>GG 25</b>	<b>GS-C 25</b>	<b>1.4408</b>
Covers	GG 25	GS-C 25	1.4408 / 1.4301
Screws	4.6 / 5.6 gal.		A4-70
Glasses	Borosilicate glass DIN 7080 ( 280°C ) Soda lime glass DIN 8902 ( 150°C )		
Gaskets	Graphite, (or other materials)		
Flap	1.4571		



## Ordering example:

Sight Flow Indicators with flap  
 Bauform 881-K, Flap 1.4571  
 GS-C 25, Borosilicate glass DIN 7080-16 bar  
 G 3/4"



## Dimensions:

BSP (G) or NPT	BL	d <sub>1</sub>	Glass plate			
			d <sub>2</sub>	S		
				16	25	40 bar
1/4" 3/8" 1/2"	100	32	45	10	10	10
3/4" 1"	120	48	63	10	12	15
1 1/4"	160	65	80	12	15	20
1 1/2"	160	65	80	12	15	20
2"	230 180 (GG)	80	100	15	20	25

NPT-thread only in GS-C 25 or 1.4408

