

Wiper System

for sight flow indicator acc. to DIN 28120
and NORIS Bauform 118, 120 und 880



Bauform 190

Application:

NORIS wiper system is used to keep glass plates free of crystallized mediums, dust and dirt sediments. The wiper system can be built in NORIS Bauform 118, 120 and 880.

Operating conditions:

Working temperature: max. by borosilicate glass
180°C with wiper blade in silicone
200°C with wiper blade in PTFE
Operating under vacuum is possible

Option:

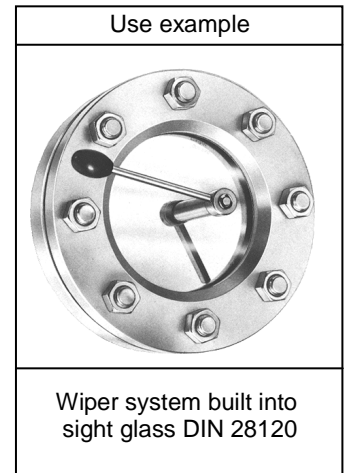
Double armed wiper, swinging bleared, with stable drover

Materials:

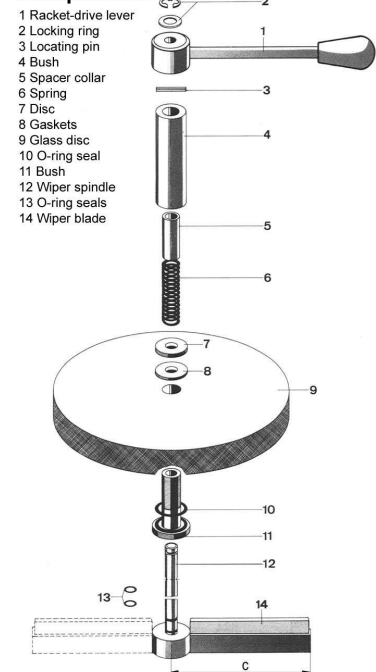
Wiper blade	PTFE or silicone
Wiper mechanism	WN 1.4571 (medium touched parts)
Glass	Borosilicate glass DIN 7080 Soda lima glass DIN 8902 (max.150°C)
Gaskets	Viton or Silicone for Wiper mechanism

Possible combinations:

Our wiper system can be combined with
1. Sight glass light fittings of different production series
2. NORIS spray device Bauform 198



Components



Dimensions for sight glass acc. DIN 28120:

DN	Glass plates (mm)	Wiper blade lengths (mm)	C (mm)	Working pressure max. (bar)
50	100 x 15	26	38	7
80	125 x 15/19	36	48	4 / 8
100	150 x 15/19	48	60	3 / 6
125	175 x 15/19	61	73	2 / 5
150	200 x 15/19	73	85	1 / 4
200	250 x 15/19	98	110	1 / 2

Modifications reserved



AVEMAR CZECH s.r.o. | speciální armatury pro měření a regulaci |
Branch office | Lihovarská 1199/10 | 716 03 Ostrava - Radvanice | Česká republika |
Tel.: +420 596 232 996 (7) | Fax: +420 596 232 998 | www.avemar.cz | avemar@avemar.cz |