

Screwed sight glass fitting

(screwed pipe connections similar. to DIN 11851)

Application:

Sight port for viewing into vessels, containers and pipelines. Particularly suitable for creameries, food, breweries, beverage industry, pharmaceutical- and medical technology.

Operating conditions:

Working pressure: 6 bar
 Working temperature: 220°C
 Vacuum

Options:

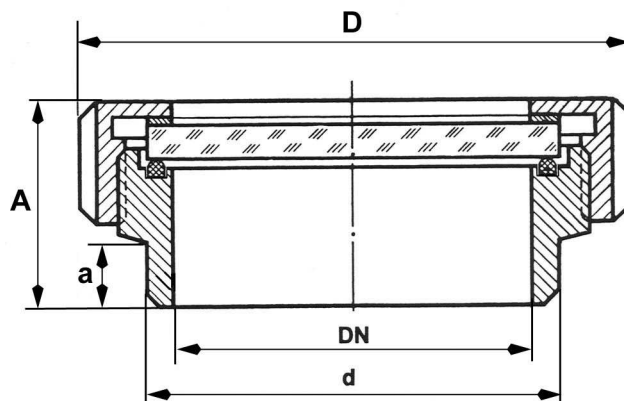
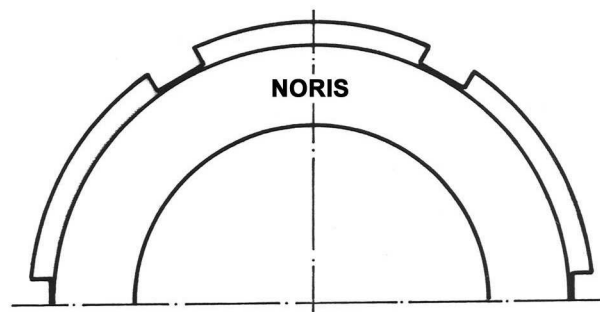
Light fittings
 Wiper
 Higher pressure

Materials:

Butt weld pipe end	WN 1.4404 or 1.4301
Slotted cover nut	WN 1.4301
Glass	Borosilicate glass DIN 7080 Soda lime glass DIN 8902
Gasket	Silicone / Viton / EPDM / PTFE
Protection ply	Asbestos free

Ordering example:

Screwed sight glass fitting NORIS Bauform 127
 WN 1.4301; Borosilicate glass;
 Gasket silicone
 DN 50



Dimensions

DN	a	A	d	D
50	18	46	55	92
65	22	49	72	112
80	23	54	87	127
100	32	65	106	148
125	20	60	132	178

Modifications reserved