

Sight Flow Indicators (straight line)

with *butt weld ends* (S) for *horizontal* installation



Bauform 111-S

Application:

Sight Flow Indicators are used for optical control and the observation of filling and current in pipelines. Without rest fluid in the body in horizontal installation.

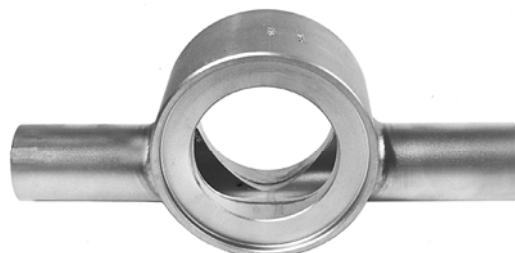
**Without restfluid
in the body!**

Operating conditions:

Working pressure : 16 bar

Standard Materials:

Body : WNr 1.4435 / 1.4404
Covers : Steel galvanized **Bauform 111-S-VS**
Stainless steel **Bauform 111-S-VV**
Screws : DIN 912, 8.8 or A4-70
Sight glasses : Borosilicate glass acc. to DIN 7080 (max. 280°C)
Soda lime glass acc. to DIN 8902 (max 150°C)
Gasket : Graphite
(other materials are available on request)

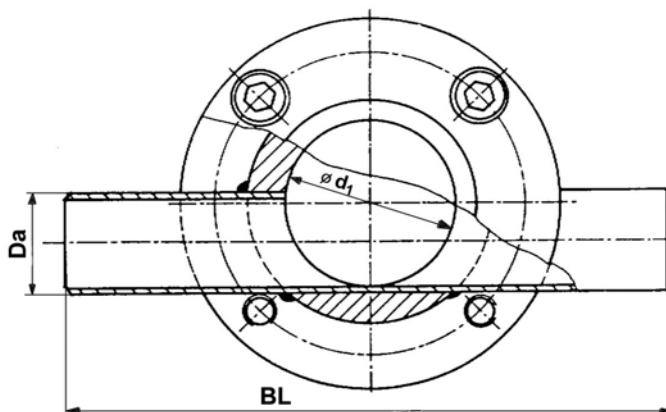


Options:

Flanges
Light-fitting

Ordering example:

Sight flow indicators Bauform 111-S-VS
Body: Stainless steel
Cover: Steel
Glass: Borosilicate glass 16 bar,
DN 50 / 60,3



Dimensions:

DN / Da	BL	ø d ₁	Glass Ød x S	Screws
10 / 17,2	184	32	45 x 10	M 8
15 / 21,3	184	32	45 x 10	M 8
20 / 26,9	184	45	63 x 10	M 10
25 / 33,7	184	45	63 x 10	M 12
32 / 42,4	206	60	80 x 12	M 12
40 / 48,3	206	60	80 x 12	M 12
50 / 60,3	224	80	100 x 15	M 12
65 / 76,1	254	80	100 x 15	M 12
80 / 88,9	266	100	125 x 20	M 12

Further sizes on Bauform 112-S

Modifications reserved