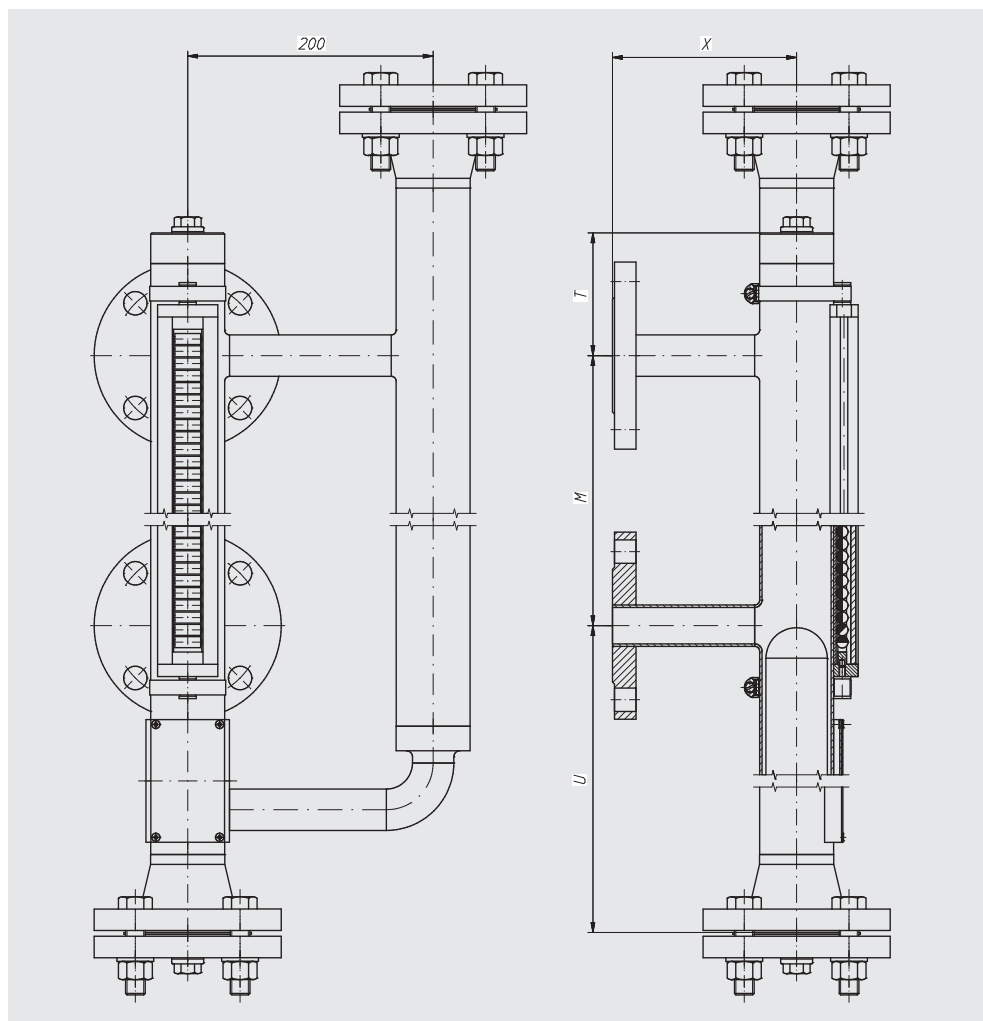


# Bypass level indicator, DUPlus version, standard, model BNA-SD

Bypass chamber from stainless steel



## Specifications

Bypass chamber	<p>Ø 60.3 x 2 mm, max. 40 bar</p> <p>Ø 60.3 x 2.77 mm, max. 64 bar</p>
Chamber end top	<p>Flange connection</p> <p>Options: (see page 14)</p> <ul style="list-style-type: none"> <li>■ Vent screw</li> <li>■ Vent valve</li> <li>■ Vent flange</li> </ul>
Chamber end bottom	<p>Flat top or flange connection</p> <p>Options: (see page 14)</p> <ul style="list-style-type: none"> <li>■ Drain plug</li> <li>■ Drain valve</li> <li>■ Drain flange</li> </ul>
Process connections	<p>2 x lateral (options see page 15)</p> <p>Flange DIN, DN 10 - DN 100, PN 6 - PN 64</p> <p>Flange ANSI B 16.5, 1/2" - 4", class 150 - class 600</p> <p>Weld stub 1/2" - 1"</p> <p>Threaded bushing G/NPT 1/2" - 1"</p> <p>Threaded nipple G/NPT 1/2" - 1"</p>
External sensor connection	<p>Flange EN 1092-1, DN 50, PN 6 - PN 64</p> <p>Flange DIN, DN 50, PN 6 - PN 64</p> <p>Flange ANSI B 16.5, 2" class 150 - class 600</p> <p>Female thread G/NPT 3/4" - 2"</p>

Centre-to-centre distance	Min. 150 mm to max. 6,000 mm (larger distances on request)
Material	Stainless steel 1.4571, 1.4404 or 1.4401/1.4404
Nominal pressure	Max. 64 bar
Temperature range	-196 ... +450 °C
Float	Cylindrical float, model BFT-H or corrugated float, model BFT-S, see data sheet LM 10.02
Magnetic display	Standard version, model BMD-S: < 200 °C High-temperature version, model BMD-F: > 200 °C, see data sheet LM 10.03
Level sensor	Reed sensor, model BLR, see data sheet LM 10.04 Magnetostrictive sensor, model BLM, see data sheet LM 10.05 Guided wave radar, model GTR, see data sheet LM 20.05
Magnetic switches	Magnetic switch, model BGU, see data sheet LM 10.06
Approvals	Ex c, GOST-R

Special versions on request