

## → Series 2780



# ERC

### ■ MATERIAL



### ■ SPECIFICATION



3/4" – 1 1/4"



– 200°C to + 120°C



PN 63

### ■ SUITABLE FOR

Liquids

neutral and non-neutral



### ■ EXAMPLES OF USE

Diverter ball valve for the installation of for example two safety valves in combination with bursting discs for the protection of containers designed for the storage of cryogenic gases. The requirements of the PED relating to redundant or diverse safety devices are fulfilled by this fitting in combination with safety valves of the 2400 / 2480 series. On each side two additional connections for bursting discs are available. In case the safety valves need to be maintained or the bursting discs replaced, the side requiring maintenance can be shut off.

- For the storage of cryogenic liquified gases, such as LIN, LOX, LAr, CO<sub>2</sub>, LNG.
- N<sub>2</sub> in pharmaceutical / foodstuffs applications
- O<sub>2</sub> for medical supply equipment
- CO<sub>2</sub> for foodstuffs/ industrial applications
- LAr for welding
- Cooling plants

**The ball-valves are oil- and grease-free as standard. For applications with oxygen (O<sub>2</sub>) applicable up to maximum 30bar and 60°C.**

### ■ APPROVALS

TR ZU 010/2011

#### Requirements

AD 2000 Data sheet A2  
PED 2014/68/EU

### ■ MATERIAL

Component	Material	DIN EN	ASTM
Body	Gunmetal	CC499K	CC499K
Internal parts	Stainless steel	1.4404	316L
Primary Seal	PTFE mod.	PTFE mod.	PTFE mod.
Secondary Seal	PTFE	PTFE	PTFE

Series 2780 ■ BALL VERSION

<b>B01</b>	L-Bore
<b>B02</b>	T-Bore

■ MEDIUM

<b>GF</b>	gaseous and liquid	Cryogenic liquified gases, vapours and liquids
-----------	--------------------	--

■ TYPE OF OPERATION

<b>A01</b>	cranked handle made of gunmetal
------------	---------------------------------

■ AVAILABLE NOMINAL DIAMETERS AND CONNECTION SIZES

Nominal diameter DN		15		20		25
Inlet		3/4" (20)	NPT 3/4" (20)	1" (25)	NPT 1" (25)	1 1/4" (32)
Outlet	1/2" (15)	■		■		
	3/4" (20)			■		
	1" (25)					■
	1/2" - 3/4" (15/20)			■		
	1/2" NPT (15)		■		■	
1/2" NPT (15)- 3/4" NPT (15/20)					■	

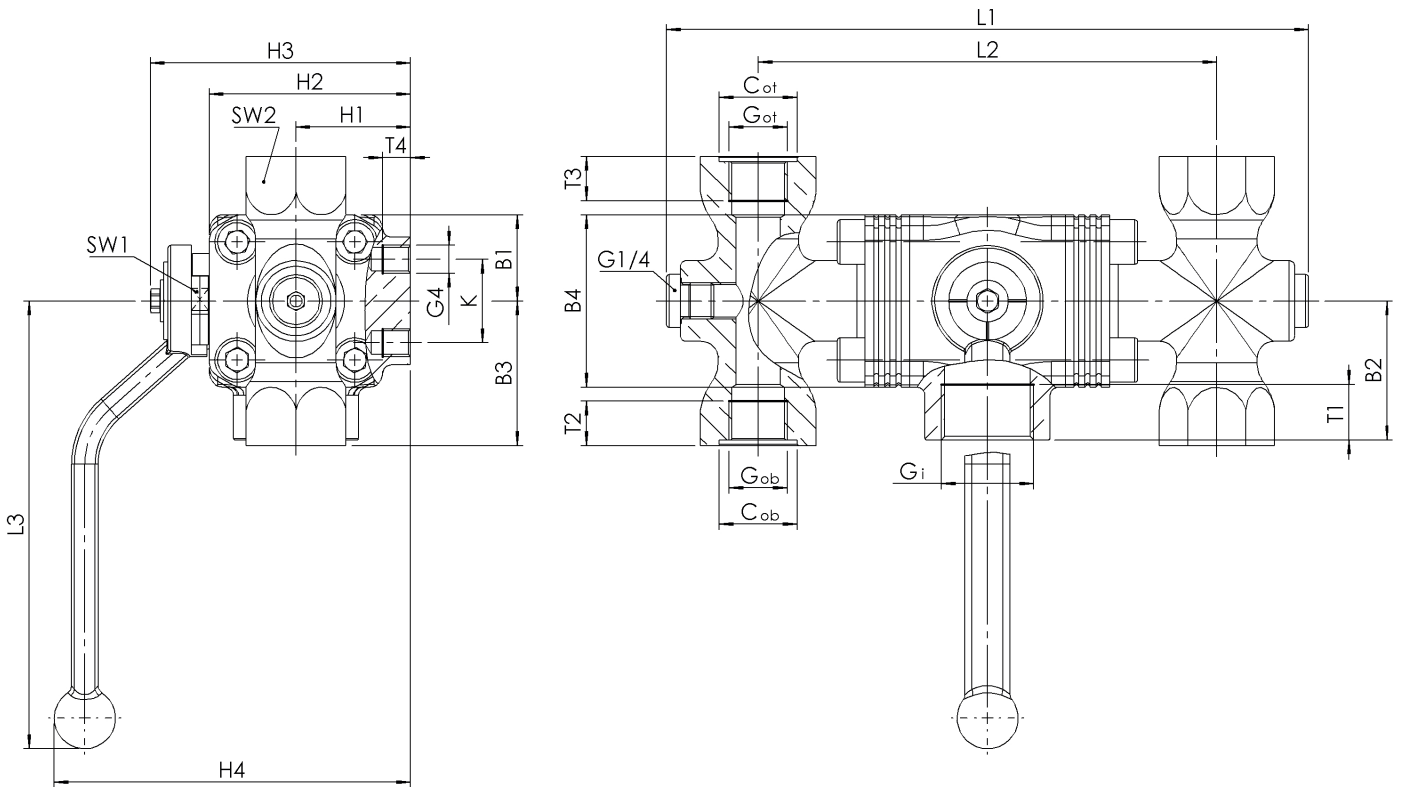
■ TYPE OF CONNECTION INLET / OUTLET THREADED CONNECTIONS

<b>f / f</b>	Standard	Female thread BSP-P / Female thread BSP-P	DIN EN ISO 228-1 / DIN EN ISO 228-1
<b>NPT-f / NPT-f</b>		Female thread NPT-f / Female thread NPT-f	ANSI B1.20.1 / ANSI B1.20.1

■ NOMINAL DIAMETERS, CONNECTIONS, INSTALLATION DIMENSIONS

Series 2780: Connection, installation dimensions										
Nominal diameter	DN	15				20				25
Connection	Gi	3/4" (20)	NPT 3/4" (20)	1" (25)	1" (25)	1" (25)	NPT 1" (25)	NPT 1" (25)	1 1/4" (32)	
Outlet	Got / Gob	1/2" (15)	NPT 1/2" (15)	1/2" (15)	3/4" (20)	1/2"-3/4" (15/20)	1/2" NPT (15)	1/2" NPT -3/4" NPT (15/20)	1" (25)	
Installation dimensions in mm	Cot	-	-	28	-	33	-	-	-	
	Cob	-	-	28	-	28	-	-	-	
	T1	20	20	20	20	20	20	20	21	
	T2/T3	14	14	15	15	15	15	15	18	
	H1	37	37	41	41	41	41	41	46	
	H2	64	64	72	72	72	72	72	82	
	H3	86	86	94	94	94	94	94	105	
	H4	120	120	128	128	128	128	128	142	
	B1	23	23	31	31	31	31	31	33	
	B2	40	40	50	50	50	50	50	50	
	B3	45	45	52	52	52	52	52	55	
	B4	47	47	62	62	62	62	62	66	
	L1	198	198	231	231	231	231	231	265	
	L2	140	140	165	165	165	165	165	195	
	L3	161	161	161	161	161	161	161	184	
	SW1	9	9	9	9	9	9	9	14	
SW2	30	30	36	36	36	36	36	41		
K	30	30	30	30	30	30	30	30		
G4	M10	M10	M10	M10	M10	M10	M10	M10		
T4	10	10	10	10	10	10	10	10		
Narrowest diameter	d0	16	16	16	21,5	16/21,5	16	16 / 21,5	26,5	
Test port DIN EN ISO 228	G1/4	1/4"	1/4"	1/4"	1/4"	1/4"	1/4"	1/4"	1/4"	
Weight	kg	2,3	2,3	4	3,8	3,8	4	3,8	5	
Kvs-value	m3/h	6,9	6,9	6,9	12,2	6,9 / 12,2	6,9	6,9 / 12,2	23,6	

■ MAIN DIMENSIONS, INSTALLATION DIMENSIONS



Series 2780 ■ INDIVIDUAL SELECTION / VALVE CONFIGURATION

Series	Ball Version	Medium	Operation	Nominal diameter DN	Connection type		Connection size		Material Combination	Options	Quantity
					Inlet	Outlet	Inlet	Outlet			
2780	B02	GF	A01	15	f	f	20	15	M7541		2
2780		GF	A01						M7541		
2780		GF	A01						M7541		
2780		GF	A01						M7541		

■ TECHNICAL FINISHES, VARIANTS, ACCESSORIES

S75	fitted with lateral overflow valve DN10 to prevent the activation of the safety valves	<input type="checkbox"/>
S76	fitted with lateral overflow valve DN15 to prevent the activation of the safety valves	<input type="checkbox"/>
		<input type="checkbox"/>

■ CERTIFICATES / APPROVALS

C01	Factory certificate acc. DIN EN 10204 2.2 (WKZ 2.2)	<input type="checkbox"/>	C05	Sealing material Manufacturer certification (FDA, USP 3, 3-A,...), Please indicate description of certificate: .....	<input type="checkbox"/>
C02	Test certificate acc. DIN EN 10204 3.1 (WPZ 3.1)	<input type="checkbox"/>	C06	ATEX evaluation acc. to 2014/34/EU	<input type="checkbox"/>
C03	Material test certificate acc. DIN EN 10204 3.1 (MPZ 3.1) (pressure retaining part)	<input type="checkbox"/>	C11	Certification of the production process especially for gaseous oxygen applications by employment of specific materials	<input type="checkbox"/>

■ ADMISSIONS / ACCREDITATIONS

AA4	EAC - certificate/declaration with passport for the valve and laser marking of the valve	<input type="checkbox"/>	AL	Individual inspection by notified body inspector – (body to be indicated): .....	<input type="checkbox"/>
		<input type="checkbox"/>			<input type="checkbox"/>
		<input type="checkbox"/>			<input type="checkbox"/>

■ ENQUIRY

Copy and send to: [order@goetze-armaturen.de](mailto:order@goetze-armaturen.de).