

## → Series 382



# ERC

### ■ MATERIAL



### ■ SPECIFICATION



DN50 to DN65



+ 5°C to + 65°C



**Inlet pressure:**  
up to 25 bar  
**Outlet pressure:**  
0,5 to 12 bar  
depending on version

### ■ SUITABLE FOR

Potable water cold



Potable water warm



### ■ EXAMPLES OF USE

Protection of supply networks, water supply systems in apartment buildings, commercial and industrial buildings or machines against excessive supply pressure. Use of pressure reducers when a constant supply pressure is required in the system.

- Protection against excess pressure
- Increasing comfort and reducing water consumption
- Drinking water supply systems
- Service water supply in industrial and building services engineering
- Machines / systems with connection to the drinking water network

### ■ FEATURES

- Upstream pressure balanced diaphragm pressure reducer, constant downstream pressure even with highly fluctuating upstream pressures
- First-class flow performance and pressure control
- High-quality, vortex-sintered polyamide coating provides excellent, long-lasting corrosion protection and cavitation resistance
- Adjustment dial for setting without operating pressure; bonnet can be positionable
- Valve insert as cartridge for easy and quick maintenance
- incl. flange gaskets made of EPDM with steel core (3mm) according to EN1514 (Approvals: Elastomer Guideline (W270, WRAS, ACS and FDA), temperature range -40 – 110°C) & pressure gauges on inlet and outlet side
- Lead-free in the contact area with drinking water

### ■ APPROVALS

UBA Conformity Confirmation Hygiene | pending

DIN-DVGW type examination (up to 30°C) | pending

Type approval ACS | pending

Type approval WRAS (up to 60°C) | pending

Type approval PZH | pending

TR ZU 032/2013 - TR ZU 010/2011 | pending

#### Classification society

DIN EN 1567  
UBA BWGL for metallic materials  
KTW-BWGL

### ■ MATERIALS

Component	Material	DIN EN
Body	Spheroidal graphite cast iron	0.7043
Coating	Polyamide	Polyamide
Valve insert	Stainless steel / Rubber	1.4404/1.4408   EPDM
Seal	Rubber	EPDM
Plug	Plastic	PA Glass fibre reinforced

<b>m</b>	with diaphragm	High-quality, heat-resistant moulded elastomere, fabric-reinforced diaphragm. Pressure adjustment by means of non-rising spindle.
----------	----------------	---

## ■ MEDIUM

<b>F</b>	liquid	for drinking water. Other medium on request.
----------	--------	--

## ■ TYPE OF LIFTING MECHANISM

<b>0</b>	without lifting device
----------	------------------------

## ■ OUTLET PRESSURE RANGES

<b>SP</b>	Standard version	Inlet pressure: up to 16 bar (PN 16) or 25 bar (PN 25, for DN50 - DN125)	Outlet pressure: from 1,5 to 7 bar
<b>HP</b>	High-pressure version (from DN 50 to DN 125)	Inlet pressure: up to 16 bar (PN 16) or 25 bar (PN 25)	Outlet pressure: from 3 to 12 bar
<b>LP</b>	Low-pressure version (from DN 50 to DN 125)	Inlet pressure: up to 16 bar (PN 16)	Outlet pressure: from 0,5 to 3 bar

## ■ AVAILABLE NOMINAL DIAMETERS AND CONNECTION SIZES

<b>Nominal diameter DN</b>	<b>50</b>	<b>65</b>	<b>80</b>	<b>100</b>	<b>125</b>	<b>150</b>	<b>200</b>
<b>Inlet / Outlet</b>	50/50	65/65	80/80	100/100	125/125	150/150	200/200
	■	■	■	■	■	■	■

## ■ TYPE OF CONNECTION INLET / OUTLET FLANGE CONNECTIONS

<b>FL / FL</b>	Standard	Flange connection / flange connection	DIN EN 1092 / DIN EN 1092
----------------	----------	---------------------------------------	---------------------------

## ■ NOMINAL PRESSURE RATING PN

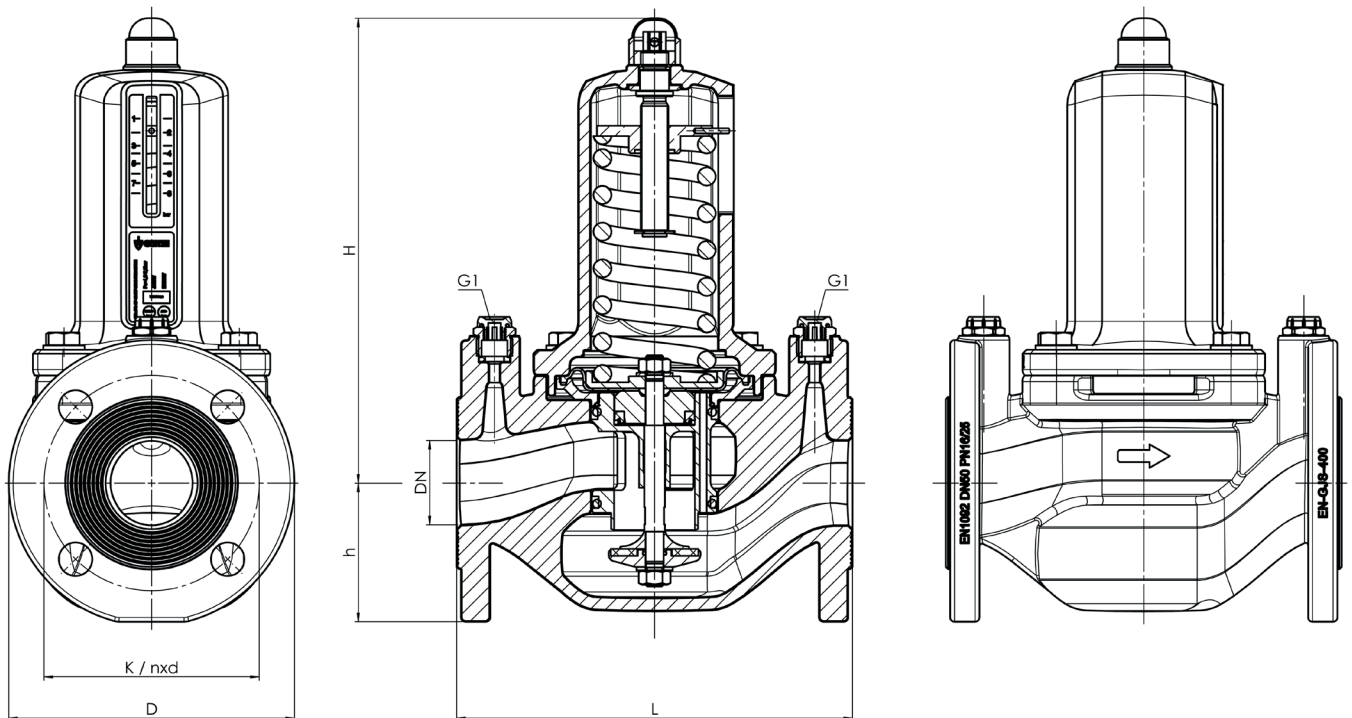
<b>PN16</b>	nominal pressure rating PN16, maximum inlet pressure 16 bar	DN50 - DN200
<b>PN25</b>	nominal pressure rating PN25, maximum inlet pressure 25 bar	DN50 - DN125

## ■ SEALS

<b>EPDM</b>	Ethylene propylene diene	Elastomer moulded diaphragms and seals Approvals according to UBA elastomer guideline / KTW-BWGL
-------------	--------------------------	---

Series 382: Connection, installation dimensions, ranges of adjustment						
Nominal diameter	DN	50		65		in development • DN80 • PN16 • PN25 • DN100 • PN16 • PN25 • DN125 • PN16 • PN25 • DN150 • PN16 • DN200 • PN16
Pressure rating	PN	PN16	PN25	PN16	PN25	
Inlet pressure	bar	16	25	16	25	
Outlet pressure SP	bar	1,5 - 7	1,5 - 7	1,5 - 7	1,5 - 7	
Outlet pressure HP	bar	3 - 12	3 - 12	3 - 12	3 - 12	
Outlet pressure LP	bar	0,5 - 3	-	0,5 - 3	-	
Installation dimensions in mm	L	230	230	290	290	
	H	270	270	260	260	
	h	83	83	93	93	
	D	165	165	185	185	
	K / nxd	125 / 4x19	125 / 4x19	145 / 4x19	145 / 8x19	
Pressure gauge connection DIN ISO228-1	G1	1/4"	1/4"	1/4"	1/4"	
Weight	Kg	18	18	19	19	
Coefficient of flow Kvs	m³/h	24	24	26	26	

■ MAIN DIMENSIONS, INSTALLATION DIMENSIONS



Series 382 ■ INDIVIDUAL SELECTION / VALVE CONFIGURATION

Series	Valve version	Medium	Lifting device	Outlet pressure	Nominal diameter DN	Connection type		Connection size		PN	Options	Seal	Quantity
						Inlet	Outlet	Inlet	Outlet				
382	m	F	0	HP	50	FL	FL	50	50	PN16		EPDM	5
382		F	0			FL	FL						
382		F	0			FL	FL						

■ CERTIFICATES / APPROVALS

<b>C01</b>	Factory certificate acc. DIN EN 10204 2.2 (WKZ 2.2)	<input type="checkbox"/>	<b>C05</b>	Sealing material Manufacturer certification (FDA, USP 3, 3-A,...), Please indicate description of certificate: .....	<input type="checkbox"/>
<b>C02</b>	Test certificate acc. DIN EN 10204 3.1 (WPZ 3.1)	<input type="checkbox"/>	<b>C06</b>	ATEX evaluation acc. to 2014/34/EU	<input type="checkbox"/>
<b>C03</b>	Material test certificate acc. DIN EN 10204 3.1 (MPZ 3.1) (pressure retaining part)	<input type="checkbox"/>			<input type="checkbox"/>

■ ADMISSIONS / ACCREDITATIONS

<b>AA4</b>	EAC - certificate/declaration with passport for the valve and laser marking of the valve	<input type="checkbox"/>		<input type="checkbox"/>
<b>AB1</b>	Deutscher Verein des Gas- und Wasserfaches, DVGW type approval	<input type="checkbox"/>		<input type="checkbox"/>
<b>AB2</b>	Water regulations and advisory scheme WRAS type approval	<input type="checkbox"/>		<input type="checkbox"/>
<b>AB3</b>	Attestation de Conformité Sanitaire, ACS type approval	<input type="checkbox"/>		<input type="checkbox"/>

■ ENQUIRY

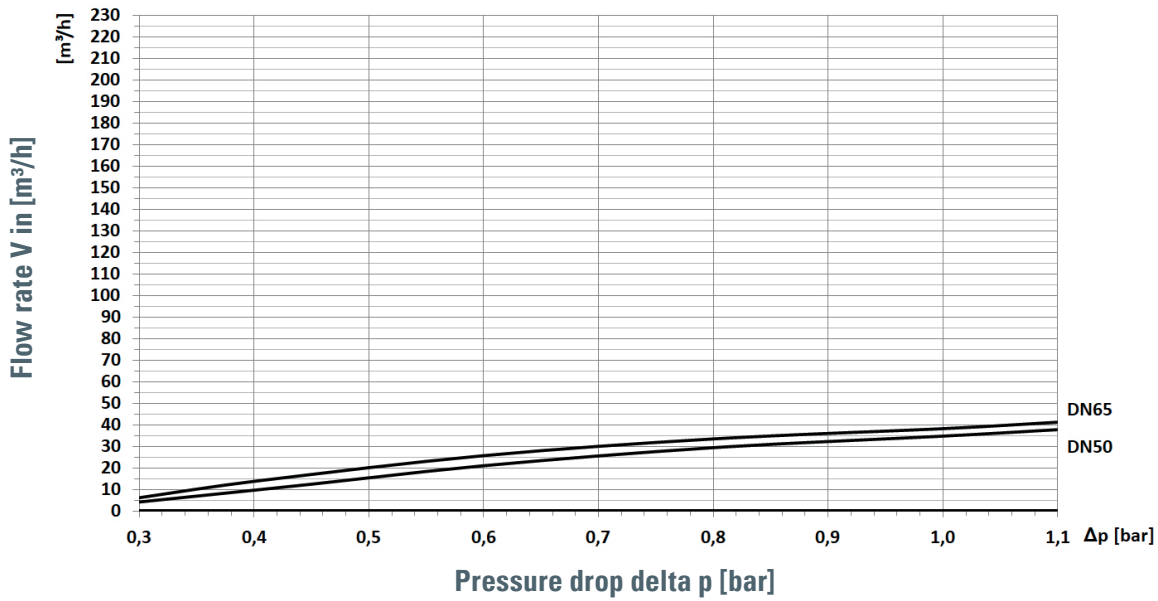
Copy and send to: [order@goetze-armaturen.de](mailto:order@goetze-armaturen.de).

Order form easily to be found online under the section for each series.

Series 382:

Dimensioning by pressure loss on the outlet pressure side

Flow chart water



Dimensioning by flow velocity

For liquids:

With help of the chart you can determine the nominal diameter (DN) for a given flow volume V (m³/h). According to DVGW-guidelines (DIN 1988) a flow velocity of 2 m/s in domestic water supply systems should not be exceeded.

Actual cubic meters are based on the prevailing pressure of the medium on the outlet side of the pressure reducer.

