



MODEL DA1

APPLICATIONS

The “DO-ALL” design allows application of all types of clean fluids. Designed primarily for gaseous and liquid service applications where excessive cavitation is absent. Excellent for atmospheric industrial gases – GN₂, GOX, Ar, He, H₂, CO₂ – as well as a natural gas regulator. Used as a utilities – air, oil, water, steam – regulator. Corrosive and non-corrosive chemical services – gas or liquid – are possible with broad materials range. Special variations available for cryogenic gas; consult factory.

MODEL DA1

DO-ALL SERIES I PRESSURE REDUCING REGULATOR Spring Operated: 1/2" – 4" (DN15 - 100)

The Model DA1 is a high performance, spring operated, flow-to-open, pressure reducing regulator with internal pressure balancing piston-cylinder that provides high flow capacity and high pressure drop capability. Internal trim design allows the same basic unit to cover a broad range of pressure settings. Performance approaches that of competitive pilot-operated designs in the basic construction. Applied primarily in clean gaseous or liquid services. Truly a “DO-ALL” pressure regulator.

FEATURES

- | | |
|----------------------------|---|
| Versatile: | Five basic materials and multiple trim material combinations to select from. |
| Tight Shutoff: | Multiple composition materials provide Class IV or VI inboard leakage rates. Designed as a soft-seated valve. |
| Capacity: | Highest in the industry. Allows smaller body sizes than competitors in a majority of applications. |
| Pressure Drop: | Highest in the industry when coupled with high flow capacity. |
| Trim Design: | “DO-ALL” trim design provides <u>FTO</u> and <u>pressure balancing</u> for higher inlet pressure. Results in unmatched <u>sensitivity</u> and <u>stability</u> . Internals are <u>cage-contained</u> within easily removable <u>quick change trim</u> . |
| Rangeability: | Basic valve gives outstanding rangeability due to close tolerances, balanced trim, and a broad range of elastomeric diaphragms and soft seats. Can be as high as 1000:1. |
| Heavy-Duty Guiding: | Both top and bottom guided to maintain stability and increased diaphragm life. |
| Failure Position: | Fails open on loss of P ₁ or P ₂ pressures. |

STANDARD / GENERAL SPECIFICATIONS

Body / Spring Chamber Materials

| | | |
|-----------|----------|-----------------|
| DI/DI | BRZ/CS | SST/CS |
| CS/DI | BRZ/SST | SST/SST |
| CS/CS | HC/CS * | Dup SST/CS |
| BRZ/BRZ * | HC/SST * | Dup SST/SST |
| BRZ/DI | SST/DI | Dup SST/Dup SST |

* Through 2" (DN50) body size only.

DI = Ductile Iron CS = Carbon Steel BRZ = Bronze
 SST = Stainless Steel HC = Hastelloy "C"
 Dup SST = Super Duplex SST

Body Sizes

1/2", 3/4", 1", 1-1/4", 1-1/2", 2", 2-1/2", 3", 4"
 (DN15, 20, 25, 32, 40, 50, 65, 80, 100)

End Connections

Standard: Female NPT (screwed).
ASME Flanged: 125#, 150#, 250#, 300#, 600#
DIN Flanged: PN16, PN25, PN40;
 Opt-31: British Standard Pipe Threads.
 Opt-32: Schedule 80 Extended Pipe Nipples.
 Opt-34: 14" Face to Face Flange Dimension.
 Opt-41: Extension Tube Ends.

Recommended Max. Useable Cv

| Body Size | | Diaphragm | | Body Size | | Diaphragm | |
|-----------|------|-----------|----------|-----------|-------|-----------|----------|
| | | Comp. Cv | Metal Cv | | | Comp. Cv | Metal Cv |
| in | (DN) | | | in | (DN) | | |
| 1/2" | (15) | 3.6 | 3.5 | 2" | (50) | 54 | 12 |
| 3/4" | (20) | 7.2 | 3.5 | 2-1/2" | (65) | 81 | N/A |
| 1" | (25) | 13.5 | 3.5 | 3" | (80) | 108 | N/A |
| 1-1/4" | (32) | 20.7 | 6.0 | 4" | (100) | 198 | N/A |
| 1-1/2" | (40) | 27.0 | 6.0 | - | - | - | - |

See Table DAG-6 for Wide Open Cv Limits.
 See Tables 3A through 3D and 4A through 4C for Cv vs. Droop vs. Range Spring tables.

METRIC CONVERSION FACTOR: $C_v / 1.16 = k_v$

Inlet Pressure Range

Operating: 10–1480 psig (.69–102.1 Barg).
 See Tables DAG-1A – 1H for design P vs. T limits.

Outlet Pressure Range

| | |
|----------------------------|----------------------------|
| 1/2"–1" (DN15–25): | 1–450 psig (.07–34.5 Barg) |
| 1-1/4"–1-1/2" (DN32–DN40): | 1–400 psig (.07–27.6 Barg) |
| 2" (DN50): | 1–275 psig (.07–20.7 Barg) |
| 2-1/2"–4" (DN65–100): | 1–225 psig (.07–15.5 Barg) |

NOTE: Ranges may be limited by diaphragm selection. See Table 5.

Pressure Drop Limits

5–1480 psid (.34–102.1 Bard)

Function of service fluid, base trim material, diaphragm and dynamic seal design. See Table 5 and Table DAG-2, DAG-3 & DAG-4.

Temperature Range

-425° to +400°F (-254° to +204° C)

Limited by body/sp.ch. material combinations, and by elastomeric – diaphragm, seat, static seal, dynamic seal – materials. See Tables DAG-1A through 1H and Table DAG-5.

Alternate "CS" Mat'l - Steel - ASTM A352 Gr. LCC -
 Minimum temperature -50 °F (-46 °C).
Cryogenic Application see Opt -5 or -36.

Inboard Leakage Rates

See Table DAG-10

Optional Constructions

| | |
|-----------------------------------|-----------------------------------|
| <u>Opt-5:</u> Cryogenic Const. | <u>Opt-40:</u> NACE Const. |
| <u>Opt-9:</u> *TFE Diaph. Cover | <u>Opt-41:</u> Ext. Tube Ends |
| <u>Opt-25:</u> 1/4" (DN8) NPT Tap | <u>Opt-55:</u> Oxygen Cleaned |
| Spring Chmb. | <u>Opt-56:</u> Special Cleaned |
| <u>Opt-25S:</u> Vent Screen | <u>Opt-57:</u> Chlorine Cleaned |
| <u>Opt-30:</u> RF Flanges | <u>Opt-80:</u> High Outlet Press. |
| <u>Opt-31:</u> BSP End Conns. | <u>Opt-85:</u> Extra Set Pressure |
| <u>Opt-32:</u> Ext. Pipe Nipples | Taps |
| <u>Opt-34:</u> 14" F to F Flange. | |
| <u>Opt-36:</u> Cryogenic Const. | |

* Available with Composition Diaphragm ONLY.

ABBREVIATIONS

| | | |
|--------------------------|-------------------------|--------------------------------|
| FK = Fluorosilicone | NBR = Buna-N | PTFE = Polytetrafluoroethylene |
| FKM = Fluorocarbon | RTFE = Brz-fill TFE | V-TFE = Virgin TFE |
| EPR = Ethylene Propylene | GF-TFE = Glass-fill TFE | CTFE = Chlorotrifluoroethylene |
| BC = Neoprene | PA = PolyAll | 3-ply (PTFE+FKM+PTFE) |

MATERIAL SPECIFICATIONS

Body

- DI – ASTM A395
CS – ASTM A216, Grade WCB
 Alternate ASTM A352 Gr. LCC
BRZ – ASTM B62, Alloy 83600,
SST – ASTM A351, Grade CF3M.
 Alternate ASTM A995/A995M7 Gr. 6A
HC – ASTM A494, Gr. CW-12 MW.

See DAG-1A through DAG-1H for material specs.

Spring Chamber

- DI – ASTM A395
CS – Sizes 1/2" - 4" ASTM A216, Gr. WCB;
 Alternate ASTM A352 Gr. LCC
Opt-80 - Sizes 1/2"-1-1/2" ASTM A516, Gr. 55,
 ASTM A106, Gr. B; Size 2" ASTM A216, Gr. WCB
BRZ – ASTM B62, Alloy 83600.
SST – Size 1/2" - 4 " ASTM A351 Gr. CF3M;
Opt-80 - Size 1/2" - 1-1/2" ASTM A312, Gr. 316L,
 ASTM A479, Gr. 316L; Size 2" is ASTM A351 Gr. CF3M
 Alternate ASTM A995/A995M7 Gr. 6A

Diaphragm *

Elastomeric – BC, EP, FKM, FK, NBR, FKM+TFE,
 3-ply (PTFE+FKM+PTFE).

Metallic – Be-Cu. (only 1/2" - 2" sizes)

Metallic Trim *

17-4PH SST, 316L SST, Nickel-Copper Alloy (Monel[†]),
 See Table 2.

Seat *

PolyAll, V-TFE, GF-TFE, CTFE, BC, NBR, FKM

Static Seals (See Fig. DAG-F1) *

RTFE, NBR, FKM, FK, EP, - o-ring
 SST/TFE (1/2"-2") (DN15-50) sizes,
 V-TFE (2-1/2"-4") (DN65-100) sizes.

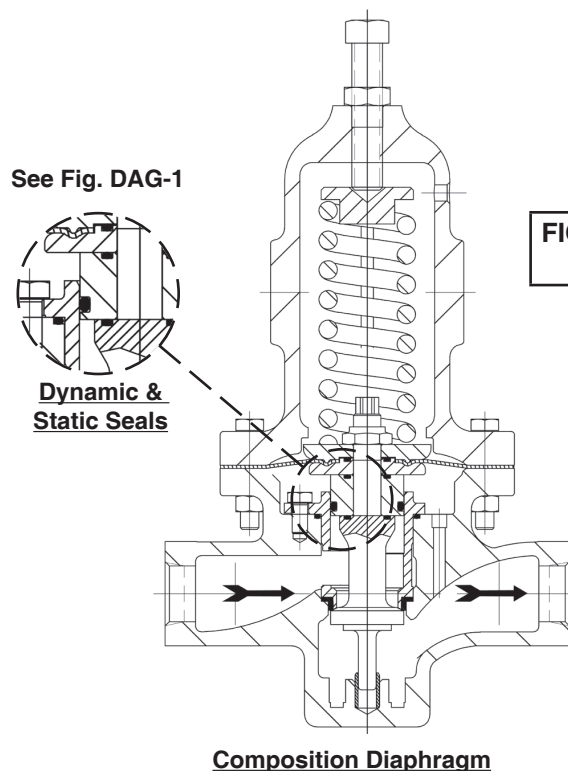
Dynamic Seals (See Fig. DAG-F1) *

- Type OR – NBR, FKM, FK, EP, - o-ring seal.
Type UC – V-TFE u-cup seal w/316L SST energizer
 – V-TFE u-cup seal w/ Elgiloy energizer
 – V-TFE u-cup seal w/ Hast C energizer
Type CW – TFE cap seal with o-ring energizer
 (o-ring material same as static seal)
 and GF-TFE wiper backup seal.
Type PW – GF-TFE piston ring assembly seal with
 17-7PH SST energizer and GF-TFE
 wiper backup seal.

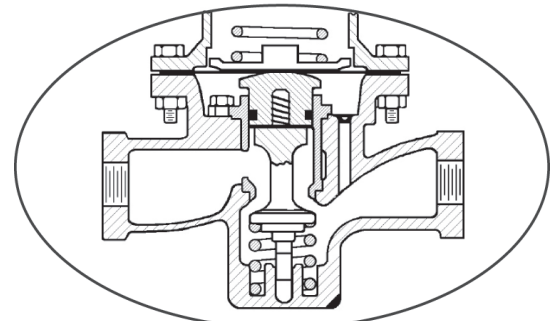
Painting

Standard: All non-corrosion resistant portions to be painted
 with corrosion resistant epoxy paint per Cashco Spec
 #S-1606.

* See Product Coder for acceptable combinations.
 † Hastelloy[®], Monel[™], and Inconel[®] are registered trade
 names:
 Hastelloy[®] is a mark owned by Stelite Div., Cabot Corp.
 Monel[™] is a mark owned by International Nickel Co.
 Inconel[®] is a mark owned by International Nickel Co.



**FIGURE 1 – Model DA1
Flow To Open**



This construction REQUIRES a Lower Piston Spring to be supplied.

OPTION SPECIFICATIONS

- OPT-5:** **BRZ CRYOGENIC CONSTRUCTION.** BRZ/BRZ body/spring chamber materials. NPT end connections. SN & TN trim selections only. Drilled condensate drain hole. **Select Opt-55 or Opt-56 for Special Cleaning.** Applicable temperature range -325° to +150° F. (-198° to +66° C). Design requires that spring chamber be mounted pointed downwards in a horizontal pipe.
- OPT-9:** **TFE DIAPHRAGM COVER.** A 0.020" (0.5 mm) thick TFE diaphragm is added to the selected diaphragm. TFE diaphragm cover is exposed to process fluid, providing added chemical compatibility. Use with composition diaphragm only.
- OPT-25:** **SPRING CHAMBER VENT TAP.** A 1/4" (DN8) - FNPT tap is located on spring chamber to allow for remote venting in case of diaphragm rupture. Primarily used when handling toxic or flammable fluids.
- OPT-25S:** **VENT SCREEN.** Cap (includes OPT-25).
- OPT-30:** **FLANGED END CONNECTIONS.** CS, SST or HC body materials only. All body sizes only (no 1-1/4" (DN32) size). Flange of same general chemistry as body. See Opt-34 for special 14" face to face dimension.
NOTES: 1. The body P vs. T ratings are the limiting variables for flanged end connections, unless further restricted by ASME B16.5.
- OPT-31:** **BSPT END CONNECTIONS.** British Standard Pipe threads per ISO 7/1; used as an alternate to NPT ends. 1/2" – 2" (DN15–50) sizes only.
- OPT-32:** **EXTENDED PIPE NIPPLES.** Sch. 80 extension pipe nipples available for CS and SST bodies; for body sizes 1/2" – 2" (DN15–50) only.
- OPT-34:** **SPECIAL 14" FACE TO FACE DIMENSION FOR FLANGED END CONNECTIONS.** Sizes 1/2" - 1" & 1-1/2" only. See Opt.-30 for standard face to face dimension.
- OPT-36:** **SST CRYOGENIC CONSTRUCTION.** Same specification as Opt-5 except body/spring chamber material is SST/SST. (Be-Cu Diaphragm material.)
- OPT-40:** **NACE CONSTRUCTION.** Internal wetted portions meet NACE Std. MR0175 for application in sour gas/crude oil service. Exterior of unit to not be directly buried, insulated, or otherwise denied direct atmospheric exposure. CS/CS, LCC/LCC, LCC/SST, SST/CS, or SST/SST body/spring chamber materials only. 316L SST trim materials only. ELG/TFE U-cup dynamic seals. Available in all end connections.
- OPT-41:** **EXTENDED TUBE END CONN.** SST body material only. Body sizes 1/2"–1" (DN15–25), 1-1/2" & 2" (DN40–50) only. SST extension tube diameter with 0.065 inch (1.65 mm) wall thickness. NOT FOR HIGH PURITY REQUIREMENTS.
- OPT-55:** **SPECIAL CLEANING - GOX.** BRZ or SST body materials only. Cleaning, assembly and packaging per Cashco Spec #S-1134, making unit suitable for Oxygen Service. **NOTE: Design Pressure Rating shall not exceed 375 psig (25.8 Barg) when body material is SST and process medium is oxygen.**
- OPT-56:** **SPECIAL CLEANING.** Cleaning per Cashco Spec. #S-1542 for all body & spring chamber materials. Higher cleaning level than standard commercial cleaning. NOT suitable for Oxygen Service.
- OPT-57:** **SPECIAL CLEANING - Cl₂.** CS, SST, or HC body materials only. Cleaning per Cashco Spec. #S-1589. For chlorine gas/liquid service.
- OPT-80:** **HIGH OUTLET PRESSURE.** Applies only to body sizes 1/2"–2" (DN15–50). Selecting highest available range spring requires special spring chamber construction. Only available as CS or SST spring chamber materials: Trims of P1, P2, P3, P4, P7, PB, M7, M9, NP, NV, T7 or T9 only.
- OPT-85:** **PRESSURE TAPS.** Provides second set of inlet and outlet 1/4" (DN8) - FNPT taps with plugs (same basic material as body) on backside of body. Includes second external sensing port tap. See page 22 for details on tap location for both STD. and Opt -85. **NOTE:** Not available for HC body.

TECHNICAL SPECIFICATIONS

**TABLE 1
RANGE SPRINGS**

| Body Size in. (DN) | Spring Range psig | Body Size in. (DN) | Spring Range psig |
|------------------------------------|---|--------------------------------------|--|
| 1/2" (15), 3/4" (20) 1" (25) | 1-5 * 1-10 ** | 2" (50) | 1-5 * 1-10 ** |
| | 5-20 10-35 20-80 30-150 70-200 100-300 | | 5-15 10-30 15-50 30-90 50-150 |
| | 200-450 (Opt-80) ✓ | | 80-225 80-275 (Opt-80)✓ |
| | | | 1-10 |
| 1-1/4" (32) 1-1/2" (40) | 1-5 * 1-10 ** | 2-1/2" (65), 3" (80), 4" (100) | 5-20 10-40 10-70 40-125 50-225 |
| | 5-20 15-45 10-70 40-175 70-200 | | |
| | 100-350 100-400 (Opt-80) ✓ | | |

* Composition diaphragm construction ONLY.

** Metal diaphragm for set point pressures \geq 5 psig (.34 Barg).

✓ OPT-80 requires selection of a CS or SST spring chamber.

METRIC CONVERSION: psig / 14.5 = Barg.

**TABLE 2
METALLIC TRIM MATERIAL COMBINATIONS**

| PART | TRIM DESIGNATION | | | | |
|---------------|------------------|-------------|--------|----------|-------------|
| | P | H | M | S | T |
| Plug | 17-4 PH SST | Hastelloy-C | Monel† | 316L SST | 17-4 PH SST |
| Guide Bearing | 17-4 PH SST | Hastelloy-C | Monel† | 316L SST | 17-4 PH SST |
| Cage | 316L SST | Hastelloy-C | Monel† | 316L SST | Monel† |
| Body Bushing | 17-4 PH SST | Hastelloy-C | Monel† | Monel† | Monel† |

† See Page 3 for registered trade name information.

**TABLE 3A
FULL PORT FLOW CAPACITY – Cv
COMPOSITION DIAPHRAGM $F_L = 0.90$**

| Pressure Setpoint Psp psig | Cv Capacity @ % Droop | | | | | | | | | Range Spring psig |
|----------------------------|-------------------------|------|------|-------------------------|------|------|-----------------------|-------|-------|-------------------|
| | BODY SIZE - 1/2" (DN15) | | | BODY SIZE - 3/4" (DN20) | | | BODY SIZE - 1" (DN25) | | | |
| | 10% | 20% | 30% | 10% | 20% | 30% | 10% | 20% | 30% | |
| 1 | 1.08 | 2.00 | 2.70 | 1.35 | 2.50 | 3.38 | 1.51 | 2.79 | 3.76 | 1 - 5 |
| 3 | 3.06 | 3.24 | 3.42 | 4.05 | 6.48 | 6.84 | 4.51 | 8.34 | 11.25 | |
| 5 | 3.06 | 3.24 | 3.42 | 5.85 | 6.48 | 6.84 | 6.51 | 12.04 | 12.83 | |
| 1 | 0.52 | 0.96 | 1.29 | 0.66 | 1.22 | 1.65 | 0.71 | 1.31 | 1.76 | 1 - 10 |
| 5 | 3.06 | 3.24 | 3.42 | 3.29 | 6.09 | 6.84 | 4.31 | 7.97 | 10.75 | |
| 10 | 3.06 | 3.24 | 3.42 | 5.60 | 6.48 | 6.84 | 6.15 | 11.38 | 12.83 | |
| 5 | 2.16 | 3.24 | 3.42 | 2.71 | 5.01 | 6.76 | 3.00 | 5.55 | 7.49 | 5 - 20 |
| 10 | 3.06 | 3.24 | 3.42 | 4.28 | 6.48 | 6.84 | 4.75 | 8.79 | 11.87 | |
| 15 | 3.06 | 3.24 | 3.42 | 5.18 | 6.48 | 6.84 | 5.75 | 10.64 | 12.83 | |
| 20 | 3.06 | 3.24 | 3.42 | 6.12 | 6.48 | 6.84 | 8.35 | 12.15 | 12.83 | 10 - 35 |
| 10 | 1.04 | 1.92 | 2.59 | 1.31 | 2.42 | 3.26 | 1.45 | 2.68 | 3.61 | |
| 20 | 2.31 | 3.24 | 3.42 | 2.88 | 5.33 | 6.84 | 3.20 | 5.92 | 7.99 | |
| 30 | 3.06 | 3.24 | 3.42 | 4.68 | 6.48 | 6.84 | 5.20 | 9.62 | 12.83 | |
| 35 | 3.06 | 3.24 | 3.42 | 5.40 | 6.48 | 6.84 | 6.00 | 11.10 | 12.83 | 20 - 80 |
| 20 | 0.79 | 1.46 | 1.97 | 0.99 | 1.83 | 2.47 | 1.11 | 2.05 | 2.76 | |
| 40 | 1.33 | 2.46 | 3.32 | 1.67 | 3.09 | 4.17 | 1.85 | 3.42 | 4.61 | |
| 60 | 2.81 | 3.24 | 3.42 | 3.51 | 6.48 | 6.84 | 3.91 | 7.23 | 9.76 | |
| 80 | 3.06 | 3.24 | 3.42 | 4.91 | 6.48 | 6.84 | 5.45 | 10.08 | 12.83 | 30 - 150 |
| 30 | 0.72 | 1.33 | 1.79 | 0.91 | 1.68 | 2.26 | 1.00 | 1.85 | 2.50 | |
| 50 | 1.26 | 2.33 | 3.14 | 1.58 | 2.92 | 3.94 | 1.75 | 3.24 | 4.38 | |
| 75 | 2.16 | 3.24 | 3.42 | 2.71 | 5.01 | 6.76 | 3.00 | 5.55 | 7.49 | |
| 100 | 2.74 | 3.24 | 3.42 | 3.42 | 6.33 | 6.84 | 3.80 | 7.03 | 9.49 | |
| 125 | 3.06 | 3.24 | 3.42 | 4.51 | 6.48 | 6.84 | 5.00 | 9.25 | 12.49 | |
| 150 | 3.06 | 3.24 | 3.42 | 4.95 | 6.48 | 6.84 | 6.00 | 11.10 | 12.83 | 70 - 200 |
| 70 | 0.54 | 1.00 | 1.35 | 0.68 | 1.26 | 1.70 | 1.18 | 2.18 | 2.94 | |
| 100 | 1.73 | 3.20 | 3.42 | 2.16 | 4.00 | 5.41 | 2.40 | 4.44 | 5.99 | |
| 125 | 2.34 | 3.24 | 3.42 | 2.93 | 5.42 | 6.84 | 3.25 | 6.01 | 8.11 | |
| 150 | 2.74 | 3.24 | 3.42 | 3.42 | 6.33 | 6.84 | 3.80 | 7.03 | 9.49 | |
| 175 | 3.06 | 3.24 | 3.42 | 4.19 | 6.48 | 6.84 | 4.65 | 8.60 | 11.61 | |
| 200 | 3.06 | 3.24 | 3.42 | 5.04 | 6.48 | 6.84 | 4.71 | 8.71 | 11.75 | 100 - 300 |
| 100 | 0.80 | 1.48 | 2.00 | 0.72 | 1.33 | 1.79 | 0.80 | 1.48 | 2.00 | |
| 150 | 1.31 | 2.42 | 3.26 | 1.16 | 2.15 | 2.91 | 1.31 | 2.42 | 3.26 | |
| 200 | 1.75 | 3.24 | 3.42 | 1.44 | 2.66 | 3.58 | 1.65 | 3.05 | 4.11 | |
| 250 | 2.31 | 3.24 | 3.42 | 1.80 | 3.33 | 4.50 | 2.31 | 4.27 | 5.76 | |
| 300 | 3.00 | 3.24 | 3.42 | 2.15 | 3.98 | 5.38 | 3.00 | 5.55 | 7.49 | 200 - 450 |
| 200 | 2.35 | 3.24 | 3.42 | 2.82 | 5.22 | 6.84 | 3.29 | 6.09 | 8.23 | |
| 300 | 3.06 | 3.24 | 3.42 | 4.24 | 6.48 | 6.84 | 4.94 | 9.14 | 12.34 | |
| 400 | 3.06 | 3.24 | 3.42 | 5.65 | 6.48 | 6.84 | 6.59 | 12.15 | 12.83 | |
| 450 | 3.06 | 3.24 | 3.42 | 6.12 | 6.48 | 6.84 | 7.41 | 12.15 | 12.83 | |

METRIC CONVERSION FACTORS: psig / 14.5 = Barg; $C_v / 1.16 = k_v$

TABLE 3B
FULL PORT FLOW CAPACITY – Cv
COMPOSITION DIAPHRAGM $F_L = 0.90$

| Pressure Setpoint Psp psig | Cv Capacity @ % Droop | | | | | | Range Spring psig |
|----------------------------|-------------------------|-------|-------|-------------------------|-------|-------|--------------------|
| | BODY SIZE 1-1/4" (DN32) | | | BODY SIZE 1-1/2" (DN40) | | | |
| | 10% | 20% | 30% | 10% | 20% | 30% | |
| 1 | 2.09 | 3.87 | 5.23 | 2.20 | 4.07 | 5.49 | 1 - 5 |
| 3 | 4.75 | 8.79 | 11.87 | 5.00 | 9.25 | 12.49 | |
| 5 | 7.79 | 14.41 | 19.45 | 8.20 | 15.17 | 20.48 | |
| 1 | 1.01 | 1.87 | 2.53 | 1.04 | 1.92 | 2.59 | 1 - 10 |
| 5 | 4.60 | 8.51 | 11.49 | 4.85 | 8.97 | 12.11 | |
| 10 | 7.25 | 13.41 | 18.10 | 7.91 | 14.63 | 19.75 | |
| 5 | 2.66 | 4.92 | 6.64 | 2.80 | 5.18 | 6.99 | 5 - 20 |
| 10 | 5.71 | 10.56 | 14.25 | 6.00 | 11.10 | 14.99 | |
| 15 | 8.59 | 15.89 | 19.67 | 9.41 | 17.41 | 23.51 | |
| 20 | 11.41 | 18.63 | 19.67 | 11.77 | 21.77 | 25.65 | 15 - 45 |
| 15 | 4.46 | 8.25 | 11.14 | 4.71 | 8.71 | 11.75 | |
| 25 | 7.41 | 13.71 | 18.51 | 7.80 | 14.43 | 19.48 | |
| 35 | 10.31 | 18.63 | 19.67 | 10.91 | 20.18 | 25.65 | 10 - 70 |
| 45 | 13.41 | 18.63 | 19.67 | 15.06 | 24.30 | 25.65 | |
| 10 | 1.56 | 2.89 | 3.91 | 1.65 | 3.05 | 4.11 | |
| 30 | 4.27 | 7.90 | 10.67 | 4.51 | 8.34 | 11.25 | 40 - 175 |
| 50 | 7.36 | 13.63 | 18.39 | 7.75 | 14.34 | 19.36 | |
| 70 | 10.00 | 18.50 | 19.67 | 10.59 | 19.59 | 25.65 | |
| 40 | 2.56 | 4.74 | 6.41 | 2.71 | 5.01 | 6.76 | 70 - 200 |
| 50 | 3.80 | 7.03 | 9.49 | 4.00 | 7.40 | 9.99 | |
| 75 | 5.22 | 9.66 | 13.05 | 5.51 | 10.19 | 13.75 | |
| 100 | 6.88 | 12.73 | 17.19 | 7.25 | 13.41 | 18.10 | 100 - 350 (Opt-80) |
| 125 | 8.55 | 15.82 | 19.67 | 9.00 | 16.65 | 22.48 | |
| 70 | 2.85 | 5.27 | 7.11 | 3.00 | 5.55 | 7.49 | |
| 100 | 4.65 | 8.60 | 11.61 | 4.91 | 9.08 | 12.25 | 50 - 150 |
| 125 | 5.36 | 9.92 | 13.40 | 5.65 | 10.45 | 14.10 | |
| 150 | 6.27 | 11.60 | 15.66 | 6.60 | 12.21 | 16.48 | |
| 175 | 7.12 | 13.17 | 17.78 | 7.51 | 13.89 | 18.75 | 80 - 275 (Opt-80) |
| 200 | 8.74 | 16.17 | 19.67 | 9.20 | 17.02 | 22.98 | |
| 100 | 6.00 | 11.10 | 14.99 | 6.47 | 11.97 | 16.16 | |
| 200 | 11.29 | 18.63 | 19.67 | 11.77 | 21.77 | 25.65 | 10 - 30 |
| 300 | 16.94 | 18.63 | 19.67 | 17.65 | 24.30 | 25.65 | |
| 350 | 17.60 | 18.63 | 19.67 | 20.35 | 24.30 | 25.65 | |

TABLE 3C
FULL PORT FLOW CAPACITY – Cv
COMPOSITION DIAPHRAGM $F_L = 0.90$

| Pressure Setpoint Psp psig | Cv Capacity @ % Droop | | | Range Spring psig |
|----------------------------|-----------------------|-------|-------|-------------------|
| | BODY SIZE 2" (DN50) | | | |
| | 10% | 20% | 30% | |
| 1 | 5.00 | 9.25 | 12.49 | 1 - 5 |
| 3 | 17.06 | 31.56 | 42.61 | |
| 5 | 27.53 | 48.60 | 51.30 | |
| 1 | 2.38 | 4.40 | 5.94 | 1 - 10 |
| 5 | 16.35 | 30.25 | 40.84 | |
| 10 | 26.00 | 48.10 | 51.30 | |
| 5 | 8.51 | 15.74 | 21.24 | 5 - 15 |
| 10 | 14.47 | 26.77 | 36.14 | |
| 15 | 22.35 | 41.35 | 51.30 | |
| 10 | 4.91 | 9.08 | 12.25 | 10 - 30 |
| 20 | 11.77 | 21.77 | 29.38 | |
| 30 | 17.65 | 32.65 | 44.07 | |
| 15 | 3.00 | 5.55 | 7.49 | 15 - 50 |
| 25 | 6.00 | 11.10 | 14.99 | |
| 35 | 8.71 | 16.11 | 21.74 | |
| 50 | 12.47 | 23.07 | 31.15 | 30 - 90 |
| 30 | 4.00 | 7.40 | 9.99 | |
| 60 | 8.20 | 15.17 | 20.48 | |
| 90 | 12.00 | 22.20 | 29.97 | 50 - 150 |
| 50 | 3.75 | 6.94 | 9.37 | |
| 75 | 6.00 | 11.10 | 14.99 | |
| 100 | 8.20 | 15.17 | 20.48 | 80 - 275 (Opt-80) |
| 125 | 9.51 | 17.59 | 23.74 | |
| 150 | 12.47 | 23.07 | 31.15 | |
| 80 | 5.10 | 9.40 | 12.70 | 10 - 70 |
| 100 | 6.35 | 11.75 | 15.85 | |
| 200 | 12.70 | 23.50 | 31.70 | |
| 275 | 17.40 | 32.30 | 43.60 | |

TABLE 3D
FULL PORT FLOW CAPACITY – Cv COMPOSITION DIAPHRAGM $F_L = 0.90$

| Pressure Setpoint Psp psig | Cv Capacity @ % Droop | | | | | | | | | Range Spring psig |
|----------------------------|-----------------------|-------|-------|--------------|--------|--------|--------------|--------|--------|-------------------|
| | Body Size 2.5" | | | Body Size 3" | | | Body Size 4" | | | |
| | 10% | 20% | 30% | 10% | 20% | 30% | 10% | 20% | 30% | |
| 1 | 4.85 | 8.97 | 12.11 | 6.90 | 12.70 | 17.30 | 7.00 | 12.95 | 17.48 | 1 - 10 |
| 3 | 9.95 | 18.41 | 24.86 | 18.10 | 34.50 | 47.00 | 20.00 | 37.00 | 50.00 | |
| 5 | 21.18 | 39.18 | 52.89 | 29.06 | 53.76 | 72.58 | 35.06 | 64.86 | 89.00 | |
| 10 | 37.53 | 69.43 | 76.95 | 62.35 | 97.20 | 102.60 | 75.30 | 139.30 | 182.00 | 5 - 20 |
| 5 | 17.53 | 32.43 | 43.78 | 26.00 | 49.00 | 66.00 | 27.06 | 50.06 | 67.58 | |
| 10 | 30.00 | 55.50 | 75.00 | 44.50 | 81.20 | 104.00 | 45.06 | 83.36 | 112.00 | |
| 15 | 42.47 | 72.90 | 77.00 | 64.00 | 96.00 | 105.00 | 64.71 | 97.20 | 125.00 | 10 - 40 |
| 20 | 57.06 | 74.00 | 78.00 | 74.00 | 98.00 | 106.00 | 82.00 | 124.00 | 158.00 | |
| 10 | 17.53 | 32.43 | 43.78 | 25.00 | 45.00 | 62.00 | 25.06 | 46.36 | 63.00 | |
| 20 | 31.06 | 57.46 | 76.95 | 49.00 | 91.00 | 102.00 | 51.06 | 94.46 | 127.52 | 10 - 70 |
| 30 | 43.30 | 72.90 | 76.95 | 62.00 | 98.50 | 103.00 | 70.00 | 128.00 | 176.00 | |
| 40 | 60.00 | 72.90 | 76.95 | 94.00 | 102.00 | 105.00 | 104.00 | 178.20 | 191.00 | |
| 10 | 9.80 | 18.00 | 26.80 | 14.20 | 26.50 | 39.10 | 14.50 | 27.30 | 39.70 | 40 - 125 |
| 30 | 19.20 | 37.60 | 55.00 | 32.00 | 52.70 | 68.30 | 33.00 | 54.00 | 68.76 | |
| 50 | 40.20 | 69.40 | 79.50 | 47.00 | 88.00 | 103.00 | 48.00 | 89.67 | 121.06 | |
| 70 | 44.40 | 72.90 | 80.10 | 65.00 | 94.50 | 105.00 | 67.06 | 124.06 | 167.48 | 50 - 225 |
| 40 | 9.80 | 18.10 | 26.50 | 12.00 | 22.20 | 29.97 | 12.40 | 22.70 | 31.00 | |
| 50 | 12.57 | 23.70 | 37.00 | 17.06 | 31.56 | 42.61 | 17.30 | 32.00 | 43.20 | |
| 75 | 19.10 | 36.90 | 54.50 | 27.53 | 50.93 | 68.76 | 28.00 | 51.10 | 69.60 | 10 - 30 |
| 100 | 25.10 | 46.10 | 72.60 | 36.00 | 66.60 | 89.91 | 36.10 | 67.00 | 90.30 | |
| 125 | 31.00 | 57.80 | 79.30 | 42.47 | 78.57 | 104.00 | 43.90 | 79.20 | 118.00 | |
| 50 | 9.10 | 18.04 | 24.36 | 13.10 | 25.25 | 34.08 | 13.60 | 25.80 | 35.10 | 10 - 30 |
| 100 | 16.10 | 31.00 | 44.50 | 22.60 | 43.70 | 61.30 | 23.00 | 44.20 | 62.00 | |
| 150 | 24.10 | 45.20 | 63.00 | 31.50 | 59.40 | 88.20 | 32.00 | 60.50 | 89.00 | |
| 225 | 31.80 | 60.00 | 87.60 | 47.00 | 79.00 | 104.00 | 47.40 | 79.60 | 119.00 | |

METRIC CONVERSION FACTORS: psig / 14.5 = Barg; $C_v / 1.16 = k_v$

TABLE 4A
FULL PORT FLOW CAPACITY – Cv
METAL DIAPHRAGM $F_L = 0.90$

| Pressure Setpoint Psp psig | Cv Capacity @ % Droop | | | | | | | | | Range Spring |
|----------------------------|-------------------------|------|------|-------------------------|------|------|-----------------------|------|------|-----------------------|
| | BODY SIZE - 1/2" (DN15) | | | BODY SIZE - 3/4" (DN20) | | | BODY SIZE - 1" (DN25) | | | |
| | 10% | 20% | 30% | 10% | 20% | 30% | 10% | 20% | 30% | |
| 5 | 1.24 | 2.30 | 3.10 | 1.32 | 2.44 | 3.29 | 1.72 | 3.15 | 3.33 | 1 - 10 |
| 10 | 1.66 | 3.06 | 3.33 | 2.24 | 3.15 | 3.33 | 2.46 | 3.15 | 3.33 | |
| 5 | 0.87 | 1.60 | 2.16 | 1.08 | 2.00 | 2.70 | 1.20 | 2.22 | 3.00 | 5 - 20 |
| 10 | 1.37 | 2.53 | 3.33 | 1.71 | 3.15 | 3.33 | 1.90 | 3.15 | 3.33 | |
| 15 | 1.66 | 3.06 | 3.33 | 2.07 | 3.15 | 3.33 | 2.30 | 3.15 | 3.33 | |
| 20 | 1.66 | 3.06 | 3.33 | 2.98 | 3.15 | 3.33 | 2.98 | 3.15 | 3.33 | |
| 10 | 0.41 | 0.77 | 1.03 | 0.52 | 0.97 | 1.30 | 0.58 | 1.07 | 1.45 | 10 - 35 |
| 20 | 0.92 | 1.71 | 2.30 | 1.15 | 2.13 | 2.88 | 1.28 | 2.37 | 3.20 | |
| 30 | 1.50 | 2.77 | 3.33 | 1.87 | 3.15 | 3.33 | 2.08 | 3.15 | 3.33 | |
| 35 | 1.60 | 2.96 | 3.33 | 2.16 | 3.15 | 3.33 | 2.40 | 3.15 | 3.33 | |
| 20 | 0.32 | 0.58 | 0.79 | 0.40 | 0.73 | 0.99 | 0.44 | 0.82 | 1.10 | 20 - 80 |
| 40 | 0.53 | 0.98 | 1.33 | 0.67 | 1.24 | 1.67 | 0.74 | 1.37 | 1.85 | |
| 60 | 1.12 | 2.08 | 2.81 | 1.40 | 2.59 | 3.33 | 1.56 | 2.89 | 3.33 | |
| 80 | 1.57 | 2.90 | 3.33 | 1.96 | 3.15 | 3.33 | 2.18 | 3.15 | 3.33 | |
| 30 | 0.29 | 0.53 | 0.72 | 0.36 | 0.67 | 0.90 | 0.40 | 0.74 | 1.00 | 30 - 150 |
| 50 | 0.50 | 0.93 | 1.26 | 0.63 | 1.17 | 1.57 | 0.70 | 1.30 | 1.75 | |
| 75 | 0.87 | 1.60 | 2.16 | 1.08 | 2.00 | 2.70 | 1.20 | 2.22 | 3.00 | |
| 100 | 1.10 | 2.03 | 2.74 | 1.37 | 2.53 | 3.33 | 1.52 | 2.81 | 3.33 | |
| 125 | 1.44 | 2.66 | 3.33 | 1.80 | 3.15 | 3.33 | 2.00 | 3.15 | 3.33 | |
| 150 | 1.59 | 2.93 | 3.33 | 1.98 | 3.15 | 3.33 | 2.40 | 3.15 | 3.33 | |
| 70 | 0.22 | 0.40 | 0.54 | 0.27 | 0.50 | 0.68 | 0.47 | 0.87 | 1.18 | 70 - 200 |
| 100 | 0.69 | 1.28 | 1.73 | 0.87 | 1.60 | 2.16 | 0.96 | 1.78 | 2.40 | |
| 125 | 0.94 | 1.73 | 2.34 | 1.17 | 2.17 | 2.93 | 1.30 | 2.40 | 3.24 | |
| 150 | 1.10 | 2.03 | 2.74 | 1.37 | 2.53 | 3.33 | 1.52 | 2.81 | 3.33 | |
| 175 | 1.34 | 2.48 | 3.33 | 1.68 | 3.10 | 3.33 | 1.86 | 3.15 | 3.33 | |
| 200 | 1.60 | 2.96 | 3.33 | 2.01 | 3.15 | 3.33 | 1.88 | 3.15 | 3.33 | |
| 100 | 0.32 | 0.59 | 0.80 | 0.29 | 0.53 | 0.72 | 0.32 | 0.59 | 0.80 | 100 - 300 |
| 150 | 0.52 | 0.97 | 1.30 | 0.47 | 0.86 | 1.16 | 0.52 | 0.97 | 1.30 | |
| 200 | 0.70 | 1.30 | 1.75 | 0.57 | 1.06 | 1.43 | 0.66 | 1.22 | 1.65 | |
| 250 | 0.92 | 1.71 | 2.30 | 0.72 | 1.33 | 1.80 | 0.92 | 1.71 | 2.30 | |
| 300 | 1.20 | 2.22 | 3.00 | 0.86 | 1.59 | 2.15 | 1.20 | 2.22 | 3.00 | |
| 200 | 0.94 | 1.74 | 2.35 | 1.13 | 2.09 | 2.82 | 1.32 | 2.44 | 3.29 | |
| 300 | 1.41 | 2.61 | 3.33 | 1.69 | 3.13 | 3.33 | 1.98 | 3.15 | 3.33 | 200 - 450 (Opt-80) |
| 400 | 1.66 | 3.06 | 3.33 | 2.26 | 3.15 | 3.33 | 2.64 | 3.15 | 3.33 | |
| 450 | 1.66 | 3.06 | 3.33 | 2.54 | 3.15 | 3.33 | 2.96 | 3.15 | 3.33 | |

METRIC CONVERSION FACTORS: psig / 14.5 = Barg; $C_v / 1.16 = K_v$

TABLE 4B
FULL PORT FLOW CAPACITY – Cv
METAL DIAPHRAGM $F_L = 0.90$

| Pressure Setpoint Psp psig | Cv Capacity @ % Droop | | | | | | Range Spring psig |
|----------------------------|-------------------------|------|------|-------------------------|------|------|--------------------|
| | BODY SIZE 1-1/4" (DN32) | | | BODY SIZE 1-1/2" (DN40) | | | |
| | 10% | 20% | 30% | 10% | 20% | 30% | |
| 5 | 1.84 | 3.40 | 4.60 | 1.94 | 3.59 | 4.84 | 1 - 10 |
| 10 | 2.90 | 5.36 | 5.70 | 3.16 | 5.40 | 5.70 | |
| 5 | 1.06 | 1.97 | 2.66 | 1.12 | 2.07 | 2.80 | 5-20 |
| 10 | 2.28 | 4.22 | 5.70 | 2.40 | 4.44 | 5.70 | |
| 15 | 3.44 | 5.40 | 5.70 | 3.76 | 5.40 | 5.70 | |
| 20 | 4.56 | 5.40 | 5.70 | 4.71 | 5.40 | 5.70 | |
| 15 | 1.78 | 3.30 | 4.45 | 1.88 | 3.48 | 4.70 | 15 - 45 |
| 25 | 2.96 | 5.40 | 5.70 | 3.12 | 5.40 | 5.70 | |
| 35 | 4.12 | 5.40 | 5.70 | 4.36 | 5.40 | 5.70 | |
| 45 | 5.10 | 5.40 | 5.70 | 5.10 | 5.40 | 5.70 | |
| 10 | 0.63 | 1.16 | 1.56 | 0.66 | 1.22 | 1.65 | 10 - 70 |
| 30 | 1.71 | 3.16 | 4.27 | 1.80 | 3.33 | 4.50 | |
| 50 | 2.95 | 5.40 | 5.70 | 3.10 | 5.40 | 5.70 | |
| 70 | 4.00 | 5.40 | 5.70 | 4.24 | 5.40 | 5.70 | |
| 40 | 1.03 | 1.90 | 2.56 | 1.08 | 2.00 | 2.70 | 40 - 175 |
| 50 | 1.52 | 2.81 | 3.80 | 1.60 | 2.96 | 4.00 | |
| 75 | 2.09 | 3.87 | 5.22 | 2.20 | 4.07 | 5.50 | |
| 100 | 2.75 | 5.09 | 5.70 | 2.90 | 5.36 | 5.70 | |
| 125 | 3.42 | 5.40 | 5.70 | 3.60 | 5.40 | 5.70 | |
| 70 | 1.14 | 2.11 | 2.84 | 1.20 | 2.22 | 3.00 | 70 - 200 |
| 100 | 1.86 | 3.44 | 4.64 | 1.96 | 3.63 | 4.90 | |
| 125 | 2.15 | 3.97 | 5.36 | 2.26 | 4.18 | 5.64 | |
| 150 | 2.51 | 4.64 | 5.70 | 2.64 | 4.88 | 5.70 | |
| 175 | 2.85 | 5.27 | 5.70 | 3.00 | 5.40 | 5.70 | |
| 200 | 3.50 | 5.40 | 5.70 | 3.68 | 5.40 | 5.70 | 100 - 350 (Opt-80) |
| 100 | 2.40 | 4.44 | 5.70 | 2.59 | 4.79 | 5.70 | |
| 200 | 4.52 | 5.40 | 5.70 | 4.71 | 5.40 | 5.70 | |
| 300 | 5.10 | 5.40 | 5.70 | 5.10 | 5.40 | 5.70 | |
| 350 | 5.10 | 5.40 | 5.70 | 5.10 | 5.40 | 5.70 | |

TABLE 4C
FULL PORT FLOW CAPACITY – Cv
METAL DIAPHRAGM $F_L = 0.90$

| Pressure Setpoint Psp psig | Cv Capacity @ % Droop | | | Range Spring psig |
|----------------------------|-----------------------|-------|-------|-------------------|
| | BODY SIZE 2" (DN50) | | | |
| | 10% | 20% | 30% | |
| 5 | 6.54 | 10.80 | 11.40 | 1 - 10 |
| 10 | 10.20 | 10.80 | 11.40 | |
| 5 | 3.40 | 6.29 | 8.50 | 5 - 15 |
| 10 | 5.79 | 10.71 | 11.40 | |
| 15 | 8.94 | 10.80 | 11.40 | |
| 10 | 1.96 | 3.63 | 4.90 | 10 - 30 |
| 20 | 4.71 | 8.71 | 11.40 | |
| 30 | 7.06 | 10.80 | 11.40 | |
| 15 | 1.20 | 2.22 | 3.00 | 15 - 50 |
| 25 | 2.40 | 4.44 | 5.99 | |
| 35 | 3.48 | 6.44 | 8.70 | |
| 50 | 4.99 | 9.23 | 11.40 | |
| 30 | 1.60 | 2.96 | 4.00 | 30 - 90 |
| 60 | 3.28 | 6.07 | 8.19 | |
| 90 | 4.80 | 8.88 | 11.40 | |
| 50 | 1.50 | 2.78 | 3.75 | 50 - 150 |
| 75 | 2.40 | 4.44 | 5.99 | |
| 100 | 3.28 | 6.07 | 8.19 | |
| 125 | 3.80 | 7.03 | 9.50 | |
| 150 | 4.99 | 9.23 | 11.40 | |
| 80 | 2.10 | 3.80 | 5.00 | 80 - 275 (Opt-80) |
| 100 | 2.60 | 4.75 | 6.25 | |
| 200 | 5.25 | 9.50 | 11.40 | |
| 275 | 7.20 | 11.30 | 11.40 | |

METRIC CONVERSION FACTORS: psig / 14.5 = Barg; $C_v / 1.16 = k_v$

TABLE 5
MAXIMUM DIAPHRAGM RATING

NOTE: The below ratings may be further "derated" by limitations through the Pressure Equipment Directive (2014/68/EU).

| Diaphragm Material | Standard Diaphragm Construction psig (Barg) * | |
|--------------------------|---|----------------------|
| | Body Size in (DN) | |
| | 1/2" – 2" (15–50) | 2-1/2" – 4" (65–100) |
| BC, EPR | 1250 (86.1) | 800 (55.1) |
| NBR | 450 (31.0) | 300 (20.6) |
| FKM, FKM+TFE, FK | 700 (48.2) | 550 (37.9) |
| 3-ply (PTFE+FKM+PTFE) ** | 125 (8.6) | 125 (8.6) |
| Metal (Be-Cu) | 1500 (103) | N/A |

* Maximum setting of pressure safety device – safety relief valve or rupture disc.

** For Steam applications.

NA = Not Available

DAG TECHNICAL APPENDIX INDEX

| TABLE | TITLE | PAGE |
|---------------|--|-------------|
| DAG-1A | DI – Press vs Temp vs End Conn Ratings | 10 |
| DAG-1B | BRZ – Press vs Temp vs End Conn Ratings | 11 |
| DAG-1C | CS – Press vs Temp vs End Conn Ratings - Design Inlet | 12 |
| DAG-1D | Design Outlet - DA1 | 12 |
| DAG-1E | SST – Press vs Temp vs End Conn Ratings – Design Inlet | 13 |
| DAG-1F | Design Outlet - DA1 | 13 |
| DAG-1G | HC – Press vs Temp vs End Conn Ratings – Design Inlet | 14 |
| DAG-1H | Design Outlet - DA1 | 14 |
| DAG-2 | Max Pressure Drop - Comp Seat | 15 |
| DAG-3 | Max Pressure Drop - Dynamic Seal Design | 15 |
| DAG-4 | Max Pressure Drop - Basic Trim Mat'ls | 15 |
| DAG-5 | Temperature Limits – Elastomer Mat'ls | 16 |
| DAG-6 | Reducer Max Capacity - Plug Wide Open | 17 |
| DAG-9 | Reducer Lower Piston Spring range | 17 |
| DAG-10 | Inboard Leakage Ratings | 18 |
| DAG-11 | Reducer Recommended Velocity Limits | 18 |
| DAG-13 | Max Recommended Noise Limits | 18 |
| DAG-14 | Recommended Internal Materials - Liquids | 19 |
| DAG-14 | Recommended Internal Materials - Gases | 19 |
| DAG-14 | Supplement - Chemical Resistance | 20 |
| DAG-15 | ISR Effect | 20 |
| FIGURE | | |
| DAG-F1 | Dynamic/Static Seals | 21 |
| DAG-F2 | Location of Body/Spring Chamber Taps | 22 |

TABLE DAG-1A
DI – DUCTILE IRON
BODY / TOPWORKS MATERIAL SPECIFICATIONS
DESIGN PRESSURE vs. TEMPERATURE vs. END CONNECTION RATINGS
(To ASME B16.1 for Flanged and B16.4 for NPT Connections per Cast Iron Rating)

| Material Specifications (Body / Topworks) | | End Connection – Inlet & Outlet | | | | | |
|--|---------------|---------------------------------|---------------------------------|---------------------------------|----------------|---------|------|
| | | Temperature °F | Working Pressure – psig | | | | |
| Description (Abbr.) | ASTM No. | | End Connection – Pressure Class | | | | |
| | | | NPT | 125# FF | 250# RF | | |
| DI/DI (Note 1) | A395/ A395 | -20° to +150° | 400 | 200 | 500 | | |
| | | 200° | 370 | 190 | 460 | | |
| | | 225° | 355 | 180 | 440 | | |
| | | 250° | 340 | 175 | 415 | | |
| | | 300° | 310 | 165 | 375 | | |
| | | 350° | 300 | 150 | 335 | | |
| | | 400° | 250 | 140 | 290 | | |
| | | 406° | 250 | 140 | 290 | | |
| | | | 400 WOG, 250 S | 225 WOG, 125 S | 400 WOG, 250 S | | |
| | | Temperature °C | | Working Pressure – Barg | | | |
| | | | | End Connection – Pressure Class | | | |
| | | | | NPT | 125# FF | 250# RF | |
| | | | | -29° to +65° | 27.6 | 13.8 | 34.5 |
| | | | | 107 | 24.5 | 12.5 | 30.2 |
| | | | | 120° | 23.4 | 12.1 | 28.7 |
| 150° | 21.2 | | | 11.2 | 25.7 | | |
| 177° | 19.2 | | | 10.6 | 23.8 | | |
| 204° | 17.5 | 9.6 | 20.3 | | | | |

NOTE 1: Whenever body and topworks materials are mixed, the P vs. T ratings that should be applied are those which are lowest of the two materials.

Example: CS body, DI topworks; NPT end connections, 200°F temperature.

Because the topworks is not “end flanged”, use the DI limits of "400 PSIG CWP 370/200F" from above to compare to CS limits from DAG-1C values. The DI limits are lower, so ratings from DAG-1A MUST be used as the limits.

NOTE 2: Unless stated otherwise, design pressure is Maximum Allowable Working Pressure (MAWP) for Inlet and Outlet.

**TABLE DAG-1B
BRZ – BRONZE
BODY / TOPWORKS MATERIAL SPECIFICATIONS**

**DESIGN PRESSURE vs. TEMPERATURE vs. END CONNECTION RATINGS
(Per ASME B16.24 for Flanged and B16.15 for NPT Connections)**

| Material Specifications (Body / Topworks) | | End Connection – Inlet & Outlet (Note 2) | | | | |
|--|---|--|---------------------------------|---------------|---------|------|
| Description (Abbr.) | ASTM No. | Temperature °F | Working Pressure –psig | | | |
| | | | End Connection – Pressure Class | | | |
| | | | NPT | 150# FF | 300# FF | |
| BRZ/BRZ (Note 1) | B62, Alloy C83600/B62, Alloy C83600 | -325° to +150° * | 700 † / 500 | 225 | 500 | |
| | | 175° | 390 | 220 | 480 | |
| | | 200° | 385 | 210 | 465 | |
| | | 225° | 375 | 205 | 445 | |
| | | 250° | 365 | 195 | 425 | |
| | | 300° | 335 | 180 | 390 | |
| | | 350° | 300 | 165 | 350 | |
| | | 400° | 250 | 150 | 315 | |
| | | 406° | 250 | 150 | 315 | |
| | | Temperature °C | Working Pressure – Barg | | | |
| | | | End Connection – Pressure Class | | | |
| | | | NPT | 150# FF | 300# FF | |
| | | | -198° to +65° * | 48.3 † / 34.5 | 15.5 | 34.5 |
| | | | 107° | 25.8 | 14.0 | 30.8 |
| | | | 120° | 25.1 | 13.5 | 29.5 |
| | | | 150° | 23.0 | 12.4 | 26.8 |
| | | | 177° | 20.4 | 11.3 | 24.0 |
| | | | 204° | 17.8 | 10.3 | 21.4 |

NOTE 1: Whenever body and topworks materials are mixed, the P vs. T ratings that should be applied are those which are lowest of the two materials.

Example: BRZ body, DI topworks; NPT end connections, ambient temperature.
Because the topworks is not “end flanged”, use the DI limits of "400 PSIG CWP 370/200F" from DAG-1A to compare to above DAG-1B values. The DI limits are lower, so ratings from DAG-1A MUST be used as the limits.

NOTE 2: Unless stated otherwise, design pressure is Maximum Allowable Working Pressure (MAWP) for Inlet and Outlet.

† **For Pressure Reducing Regulator DA1** use 700 psig (48.2 Barg) inlet / 500 psig (34.4 Barg) outlet at 150°F as maximum limits.

* See Minimum Temperature Ratings Table below.

**DESIGN PRESSURE RATING
AT MIN. TEMPERATURE**

| Regulator Function | Material Specifications (Body / Topworks - Connections) Description (Abbr.) | Pressure at Min. Temperature |
|--------------------|---|--|
| Pressure Reducing | BRZ/BRZ - NPT | Inlet - 700 psig CWP to -325°F (-198°C) |
| | | Outlet - 500 psig CWP to -325°F (-198°C) |
| | SST/SST - NPT, BSP, Ext. Nipples, Tube Ends and 600# Flgs | Inlet - 1440 psig CWP to -425°F (-254°C) |
| | | Outlet - 625 psig CWP to -425°F (-254°C) |

Body Material Specifications

Cast Steel A216 Gr. WCB or Steel Weldment A216 Gr. WCB w/ forged flanges A105

Alternate Material: Cast Steel A352 Gr. LCC or Steel Weldment A352 Gr. LCC w/ forged flanges A350 Gr. LF6 Class 2

Topworks Material Specifications

Cast Steel A216 Gr. WCB.

(For Option-80 Sizes 1/2"-1-1/2" Steel Weldment A516 Gr. 55 & A106; Size 2" ASTM A216, Gr. WCB)

Alternate Material: Cast Steel A352 Gr. LCC

DESIGN PRESSURE vs. TEMPERATURE vs. END CONNECTION RATINGS

(Per ASME B16.5 and B16.34) See NOTE 1

| TABLE DAG-1C | | | | |
|---|------------------------|------------------------|---------------|---------------|
| DESIGN INLET PRESSURE FOR DA1 | | | | |
| in PSIG (BARG) | | | | |
| CONSTRUCTION | END CONNECTIONS | | | |
| DESIGN TEMP. RANGE: Deg F (Deg C) ** | NPT, BSP | 600#, EXTD NIPP | 150# | 300# |
| -20 to +100 (-29 to +38) | 1480 (102.1) | 1480 (102.1) | 285 (19.6) | 740 (51.1) |
| -20 to +200 (-29 to +93) | 1360 (94.2) | 1360 (94.2) | 260 (17.9) | 680 (47.1) |
| -20 to +300 (-29 to +149) | 1310 (90.3) | 1310 (90.3) | 230 (15.8) | 655 (45.1) |
| -20 to +400 (-29 to +204) | 1265 (87.3) | 1265 (87.3) | 200 (13.7) | 635 (43.6) |

**** Alternate Mat'l:** ASTM 352 Gr. LCC Minimum Temperature -50 °F (-46 °C).

| TABLE DAG-1D | | | |
|---|----------------------------------|---------------|---------------|
| DESIGN OUTLET PRESSURE FOR DA1 | | | |
| in PSIG (BARG) | | | |
| CONSTRUCTION | END CONNECTIONS | | |
| DESIGN TEMP. RANGE: Deg F (Deg C) ** | NPT, BSP, 600#, EXTD NIPP | 150# | 300# |
| -20 to +100 (-29 to +38) | 750 (51.7) | 285 (19.6) | 740 (51.1) |
| -20 to +200 (-29 to +93) | 680 (47.1) | 260 (17.9) | 680 (47.1) |
| -20 to +300 (-29 to +149) | 655 (45.1) | 230 (15.8) | 655 (45.1) |
| -20 to +400 (-29 to +204) | 635 (43.6) | 200 (13.7) | 635 (43.8) |

**** Alternate Mat'l:** ASTM 352 Gr. LCC Minimum Temperature -50 °F (-46 °C).

NOTE 1: These pressure ratings may be further derated by limitations through the Pressure Equipment Directive (2014/68/EU). Whenever body and topworks are mixed, the P vs. T ratings that should be applied are those which are lowest for the two materials.

Example: 600 lb. RF flanged steel body at 200 deg F maximum temp would have a preliminary inlet to 1360 psig and outlet to 680 psig, but if fitted with a ductile iron topworks pressure rating is only 370 psig. Must derate both the inlet and outlet to 370 psig. (Note: Topworks pressure rating, same as NPT design outlet pressure rating for the selected topworks material and diaphragm type.

Body Material Specifications

Cast Stainless Steel A351 Gr.CF3M or Stainless Steel Weldment A315 Gr. CF3M w/ forged flanges A182 Gr. F 316L

Alternate Material: Super Duplex SST A995/A995M Gr. 6A

Topworks Material Specifications

Cast Stainless Steel A351 Gr.CF3M.

(For Option-80 Sizes 1/2"-1-1/2" Stainless Steel Weldment A312 Gr. 316/316L, A479 Gr. 316/316L, Size 2" is ASTM A351 Gr. CF3M)

Alternate Material: Super Duplex SST A995/A995M Gr. 6A

DESIGN PRESSURE vs. TEMPERATURE vs END CONNECTION RATINGS

(Per ASME B16.5 and B16.34) See NOTE 1

| TABLE DAG-1E | | | | |
|---|------------------------|------------------------------|---------------|---------------|
| DESIGN INLET PRESSURE FOR DA1 | | | | |
| in PSIG (BARG) | | | | |
| CONSTRUCTION * | END CONNECTIONS | | | |
| DESIGN TEMP. RANGE: Deg F (Deg C) ** | NPT, BSP | 600#, EXTD NIPP, TUBE | 150# | 300# |
| -425 to +100 (-254 to +38) | 1440 (99.3) | 1440 (99.3) | 275 (19.0) | 720 (49.6) |
| -20 to +200 (-29 to +93) | 1240 (86.1) | 1240 (86.1) | 235 (16.5) | 620 (43.0) |
| -20 to +300 (-29 to +149) | 1120 (77.1) | 1120 (77.1) | 215 (14.8) | 560 (38.6) |
| -20 to +400 (-29 to +204) | 1025 (70.9) | 1025 (70.9) | 195 (13.6) | 515 (35.5) |

** Alternate Mat!: ASTM 995 / 995M Gr. 6A Super Duplex SST
Minimum Temperature -60 °F (-51 °C).

| TABLE DAG-1F | | | |
|---|--|---------------|---------------|
| DESIGN OUTLET PRESSURE FOR DA1 | | | |
| in PSIG (BARG) | | | |
| CONSTRUCTION * | END CONNECTIONS | | |
| DESIGN TEMP. RANGE: Deg F (Deg C) ** | NPT, BSP, 600#, EXTD NIPP, TUBE | 150# | 300# |
| -425 to +100 (-254 to +38) | 625 (43.0) | 275 (19.0) | 625 (43.0) |
| -20 to +200 (-29 to +93) | 620 (42.3) | 235 (16.5) | 620 (42.3) |
| -20 to +300 (-29 to +149) | 560 (38.6) | 215 (14.8) | 560 (38.6) |
| -20 to +400 (-29 to +204) | 515 (35.5) | 195 (13.6) | 515 (35.5) |

** Alternate Mat!: ASTM 995 / 995M Gr. 6A Super Duplex SST
Minimum Temperature -60 °F (-51 °C).

* For Temperatures below -20°F - refer to page 11 for Design Pressure Rating at Min. Temperature.

NOTE 1: These pressure ratings may be further derated by limitations through the Pressure Equipment Directive (2014/68/EU). Whenever body and topworks are mixed, the P vs. T ratings that should be applied are those which are lowest for the two materials.

Example: 300 lb. RF flanged SST body at 200 deg F maximum temp would have a preliminary inlet and outlet to 620 psig, but if fitted with a ductile iron topworks pressure rating is only 400 psig. Must derate both the inlet and outlet to 400 psig. (Note: Topworks pressure rating, same as NPT design outlet pressure rating for the selected topworks material and diaphragm type.

The ratings are the same as above, if substitute steel topwork material.

Maximum Design Pressure Rating for 2" Opt -41 limited by 0.065" wall thickness to 1200 psig.

300# Flanges are derated due to the bolting for these products.

Body Material Specifications

Cast Hastelloy A494 Gr. CW-12MW or Hastelloy Weldment A494 Gr. CW-12MW w/ forged flanges B462 Gr. N10276

Topworks Material Specifications

Cast Steel A216 Gr. WCB. (For Option-80 Steel Weldment A516 Gr. 55 & A106)

DESIGN PRESSURE vs. TEMPERATURE vs END CONNECTION RATINGS

(Per ASME B16.5 and B16.34) See NOTE 1

| TABLE DAG-1G | | | |
|---|------------------------|---------------|---------------|
| DESIGN <u>INLET</u> PRESSURE FOR DA1 | | | |
| in PSIG (BARG) | | | |
| CONSTRUCTION | END CONNECTIONS | | |
| DESIGN TEMP. RANGE: Deg F (Deg C) | NPT, BSP | 150# | 300# |
| -325 to +100 (-198 to +38) | 1200 (82.7) | 230 (15.9) | 600 (41.4) |
| -20 to +200 (-29 to +93) | 1105 (76.4) | 210 (14.7) | 550 (38.2) |
| -29 to +300 (-29 to +149) | 1040 (71.8) | 200 (13.7) | 520 (35.9) |
| -20 to +400 (-29 to +204) | 980 (67.6) | 190 (12.9) | 490 (33.8) |

| TABLE DAG-1H | | | |
|--|------------------------|---------------|---------------|
| DESIGN <u>OUTLET</u> PRESSURE FOR DA1 | | | |
| in PSIG (BARG) | | | |
| CONSTRUCTION | END CONNECTIONS | | |
| DESIGN TEMP. RANGE: Deg F (Deg C) | NPT, BSP | 150# | 300# |
| -325 to +100 (-198 to +38) | 625 (43.0) | 230 (15.9) | 600 (41.4) |
| -20 to +200 (-29 to +93) | 550 (38.2) | 210 (14.7) | 550 (38.2) |
| -20 to +300 (-29 to +149) | 520 (35.9) | 200 (13.7) | 520 (35.9) |
| -20 to +400 (-29 to +204) | 490 (33.8) | 190 (12.9) | 490 (33.8) |

NOTE 1: These pressure ratings may be further derated by limitations through the Pressure Equipment Directive (2014/68/EU).

**TABLE DAG-2
MAXIMUM PRESSURE DROP FOR
COMPOSITION SEATS**

| Body Size | | Max. Pressure Drop - psid (Bard) | | | | | | | | | | | |
|-----------------|----------|----------------------------------|--------|-----|--------|-------|----------|-----|--------|------|---------|---------|------------|
| | | Seat Material | | | | | | | | | | | |
| in | (DN) | BC, NBR, POLYALL *, FKM | | | | | GF-TFE | | | | | | |
| | | Liquid * | | Gas | | Steam | Liquid * | | Gas | | Steam √ | | |
| 1/2" – 1" | (15-25) | 600 | (41.3) | 750 | (51.7) | DNA | | 450 | (31.0) | 1000 | (68.9) | 150/125 | (10.3/8.6) |
| 1-1/4" – 1-1/2" | (32-40) | 600 | (41.3) | 600 | (41.3) | DNA | | 450 | (31.0) | 900 | (62.0) | 150/125 | (10.3/8.6) |
| 2" | (50) | 600 | (41.3) | 600 | (41.3) | DNA | | 450 | (31.0) | 750 | (51.7) | 150/125 | (10.3/8.6) |
| 2-1/2" – 4" | (65-100) | 500 | (34.4) | 600 | (41.3) | DNA | | 450 | (31.0) | 750 | (51.7) | 125 | (8.6) |
| | | V-TFE | | | | | CTFE | | | | | | |
| 1/2" – 1" | (15-25) | 300 | (20.7) | 600 | (41.3) | 125 | (8.6) | 600 | (41.3) | 3000 | (206.9) | DNA | |
| 1-1/4" – 1-1/2" | (32-40) | 300 | (20.7) | 600 | (41.3) | 125 | (8.6) | 600 | (41.3) | 3000 | (206.9) | DNA | |
| 2" | (50) | 300 | (20.7) | 600 | (41.3) | 125 | (8.6) | 600 | (41.3) | 2000 | (137.9) | DNA | |
| 2-1/2" – 4" | (65-100) | 300 | (20.7) | 450 | (31.0) | 125 | (8.6) | 500 | (34.4) | 1500 | (103.4) | DNA | |

* Only seat material to be applied in liquid "partially cavitating" service is PolyAll.
 √ Steam Service: metal diaphragm/composition diaphragm.
 N/A = Not Available
 DNA = Do Not Apply

**TABLE DAG-3
MAXIMUM PRESSURE DROP FOR
DYNAMIC SEAL DESIGNS**

| Body Size | | Max. Pressure Drop - psid (Bard) | | | | | | | | | | | | | | | | |
|-----------------|----------|----------------------------------|--------|-------|--------|--------------|----------------------------------|-----|--------|-----|--------|------------------------|------------|-----|--------|-------|---------|-----|
| | | Dynamic Seal Design | | | | | | | | | | | | | | | | |
| in | (DN) | "OR" – O-RING * | | | | | "CP" – TFE CAP | | | | | "CW" – TFE CAP w/WIPER | | | | | | |
| | | Liquid * | | Gas * | | Steam | Liquid | | Gas | | Steam | Liquid | | Gas | | Steam | | |
| 1/2" – 1" | (15-25) | 600 | (41.3) | 750 | (51.7) | DNA | | 600 | (41.3) | 600 | (41.3) | DNA | | 450 | (31.0) | 600 | (41.3) | DNA |
| 1-1/4" – 1-1/2" | (32-40) | 600 | (41.3) | 750 | (51.7) | DNA | | 600 | (41.3) | 600 | (41.3) | DNA | | 450 | (31.0) | 600 | (41.3) | DNA |
| 2" | (50) | 600 | (41.3) | 750 | (51.7) | DNA | | 600 | (41.3) | 600 | (41.3) | DNA | | 450 | (31.0) | 600 | (41.3) | DNA |
| 2-1/2" – 4" | (65-100) | 600 | (41.3) | 750 | (51.7) | DNA | | 600 | (41.3) | 600 | (41.3) | DNA | | 450 | (31.0) | 600 | (41.3) | DNA |
| | | "PR" – PISTON RING ASSY. | | | | | "PW" – PISTON RING ASSY. w/WIPER | | | | | "UC" – U-CUP | | | | | | |
| 1/2" – 1" | (15-25) | DNA | | DNA | | √ 150/125 | (10.3/8.6) | DNA | | DNA | | √ 150/125 | (10.3/8.6) | 600 | (41.3) | 3000 | (206.9) | DNA |
| 1-1/4" – 1-1/2" | (32-40) | DNA | | DNA | | √ 150/125 | (10.3/8.6) | DNA | | DNA | | √ 150/125 | (10.3/8.6) | 600 | (41.3) | 3000 | (206.9) | DNA |
| 2" | (50) | DNA | | DNA | | √ 150/125 | (10.3/8.6) | DNA | | DNA | | √ 150/125 | (10.3/8.6) | 600 | (41.3) | 3000 | (206.9) | DNA |
| 2-1/2" – 4" | (65-100) | DNA | | DNA | | 125 | (8.6) | DNA | | DNA | | 125 | (8.6) | 600 | (41.3) | 3000 | (206.9) | DNA |

* Only seat material to be applied in liquid "partially cavitating" or "flashing" service is PolyAll.
 √ Steam Service: metal diaphragm/composition diaphragm.
 N/A = Not Available DNA = Do Not Apply wo/ = without w/ = with

**TABLE DAG-4
MAXIMUM PRESSURE DROP FOR
BASIC TRIM MATERIAL**

| Body Size | | Max Pressure Drop - psid (Bard) | | | | | | | |
|-------------|----------|---------------------------------|---------|----------------|--------|-------------|---------|----------------|---------|
| | | Basic Trim Material | | | | | | | |
| in | (DN) | "P" – 17-4PH SST | | "S" – 316L SST | | "M" – Monel | | "T" – Hybrid * | |
| 1/2" – 2" | (15-50) | 3000 | (206.9) | 800 | (55.1) | 1500 | (103.4) | 3000 | (206.9) |
| 2-1/2" – 4" | (65-100) | 3000 | (206.9) | 800 | (55.1) | 1500 | (103.4) | 3000 | (206.9) |

* 17-4PH SST plug & piston, Monel cage.

**TABLE DAG-5
TEMPERATURE LIMITS
FOR ELASTOMERIC MATERIALS**

| Elastomer | | | T Maximum | | T Minimum | |
|---------------|----------------|--|-------------------------------------|--------|-----------|---------|
| Seats | ID | Description | °F | (°C) | °F | (°C) |
| | | PolyAll | Proprietary Polyurethane Derivative | 225° | (107°) | -60° |
| | GF-TFE | Glass-filled Polytetrafluorethylene | 425° | (218°) | -325° | (-198°) |
| | V-TFE | Virgin TFE | 400° | (205°) | -325° | (-198°) |
| | CTFE | Chlorotrifluoroethylene TFE | 300° | (148°) | -325° | (-198°) |
| | BC | Neoprene | 225° | (107°) | -35° | (-37°) |
| | NBR | Buna-N | 320° | (160°) | -40° | (-40°) |
| | FKM | Fluorocarbon Elastomer | 400° | (205°) | 0° | (-17°) |
| Diaphragms | 3-Ply | 3-Ply TFE/FKM/TFE | 400° | (205°) | 0° | (-17°) |
| | BC | Neoprene (Polychloroprene) | 250° | (121°) | -65° | (-53°) |
| | EPR | Ethylene Propylene | 300° | (148°) | -40° | (-40°) |
| | FK | Fluorosilicone | 350° | (177°) | -65° | (-54°) |
| | FKM | Fluorocarbon Elastomer | 400° | (205°) | 0° | (-17°) |
| | NBR | Buna-N (Nitrile) | 250° | (121°) | -70° | (-56°) |
| | FKM+TFE | Fluorocarbon Elastomer + TFE | 400° | (205°) | 0° | (-17°) |
| Static Seals | RTFE | Bronze-filled TFE | 425° | (218°) | 70° | (21°) |
| | V-TFE | Virgin TFE | 400° | (205°) | -325° | (-198°) |
| | EPR | Ethylene Propylene | 300° | (148°) | -40° | (-40°) |
| | FK | Fluorosilicone | 350° | (177°) | -65° | (-54°) |
| | FKM | Fluorocarbon Elastomer | 400° | (205°) | -20° | (-28°) |
| | NBR | Buna-N | 212° | (100°) | -40° | (-40°) |
| | SST/TFE | 301/302 SST U-cup / TFE | 400° | (205°) | -325° | (-198°) |
| | HC/TFE | Hastelloy C U-cup / TFE | 400° | (205°) | -325° | (-198°) |
| Dynamic Seals | "PR" | Piston Ring Assy, GF-TFE / SST | 425° | (218°) | -40° | (-40°) |
| | "PW" | PRA* w/Wiper, GF-TFE / SST / GF-TFE | 425° | (218°) | 70° | (21°) |
| | "CW" – EPR/TFE | TFE Cap Seal, EPR O-ring, GF-TFE Wiper | 300° | (148°) | -40° | (-40°) |
| | "CW" – NBR/TFE | TFE Cap Seal, NBR O-ring, GF-TFE Wiper | 212° | (100°) | -40° | (-40°) |
| | "CW" – FK/TFE | TFE Cap Seal, FK O-ring, GF-TFE Wiper | 350° | (177°) | -40° | (-40°) |
| | "CW" – FKM/TFE | TFE Cap Seal, FKM O-ring, GF-TFE Wiper | 400° | (205°) | -20° | (-28°) |
| | "CP" – EPR/TFE | TFE Cap Seal, EPR O-ring | 300° | (148°) | -40° | (-40°) |
| | "CP" – NBR/TFE | TFE Cap Seal, NBR O-ring | 212° | (100°) | -40° | (-40°) |
| | "CP" – FK/TFE | TFE Cap Seal, FK O-ring | 350° | (177°) | -10° | (-23°) |
| | "CP" – FKM/TFE | TFE Cap Seal, FKM O-ring | 400° | (205°) | -20° | (-28°) |
| | SST/TFE | 301/302 SST U-cup / TFE | 400° | (205°) | -325° | (-198°) |
| | HC/TFE | Hastelloy C U-cup / TFE | 400° | (205°) | -325° | (-198°) |
| | ELG/TFE | Elgiloy / TFE U-cup | 400° | (205°) | -325° | (-198°) |

* PRA - Piston Ring Assembly

| Metal Diaphragm | | T Maximum | | T Minimum | |
|-----------------|------------------|-----------|--------|-----------|---------|
| ID | Description | °F | (°C) | °F | (°C) |
| BE-CU | Beryllium Copper | 400° | (205°) | -325° | (-198°) |

ABBREVIATIONS

| | | | |
|------------------------------|-------------------------|------------------------------------|------------------|
| FK = Fluorosilicone | NBR = Buna-N | PTFE = Polytetrafluoroethylene | PRA = GF-TFE/SST |
| FKM = Fluorocarbon Elastomer | RTFE = Brz-fill TFE | V-TFE = Virgin TFE | BC = Neoprene |
| EPR = Ethylene Propylene | GF-TFE = Glass-fill TFE | CTFE = Chlorotrifluoroethylene TFE | ELG = Elgiloy |

**TABLE DAG-6
REDUCER MAXIMUM CAPACITY WITH PLUG WIDE-OPEN**

| Body Size | | Full Port Max Capacity | | Full Port Max Capacity | |
|--|-------|------------------------|-----|------------------------|------|
| in | (DN) | Cv | Kv | Cv | Kv |
| 1/2" | (15) | 4.0 | 3.4 | 3.5 | 3.0 |
| 3/4" | (20) | 8.0 | 6.9 | 3.5 | 3.0 |
| 1" | (25) | 15 | 13 | 3.5 | 3.0 |
| 1-1/4" | (32) | 23 | 20 | 6.0 | 5.2 |
| 1-1/2" | (40) | 30 | 26 | 6.0 | 5.2 |
| 2" | (50) | 60 | 52 | 12 | 10.4 |
| 2-1/2" | (65) | 90 | 78 | X | |
| 3" | (80) | 120 | 104 | | |
| 4" | (100) | 220 | 190 | | |
| Diaphragm | | Composition | | Metal | |
| NOTE: The above Cv factors may be used for sizing of safety relief valves or rupture discs. | | | | | |

**TABLE DAG-9
REDUCER – LOWER PISTON SPRING RANGES**

| Basic Unit | | Lower Piston Spring Range psig | Application Notes |
|------------|-----------|-----------------------------------|--------------------------------|
| Model | Diaphragm | | |
| DA1 | Comp | 1-2 | 1-5 and 1-10 range spring only |
| DA1 | Metal | 4-10 | – |

- NOTES:**
1. All metallic diaphragm constructions MUST include a lower piston spring.
 2. The 1–2 psig lower piston spring should only be used with low pressure setpoints. (Psp ≤ 10 psig) and with composition diaphragms.
 3. Lower spring material matches main metallic trim in corrosion resistance.

**TABLE DAG-10
INBOARD LEAKAGE RATINGS *
Per ANSI/FCI 70-2**

| Seat Material | Dynamic Seal | |
|---|--------------|-----------------------------|
| | O-Ring | Dynamic Seals Except O-Ring |
| CTFE, GF-TFE, and V-TFE | IV | IV |
| BC, NBR, PolyAll, FKM | VI | IV |
| *Inboard leak rates are the composite leakage of the seat leakage + dynamic seal leakage, considered as a single inboard leakage value. | | |

**TABLE DAG-11
REDUCER RECOMMENDED VELOCITY LIMITS**

| Application Fluid | Valve | | Valve Body Outlet | | Downstream Pipe | | Units |
|---|-------|------------|-------------------|------|-----------------|------|--------|
| | Type | Size Range | Recommend | Max. | Recommend | Max. | |
| | | | | | | | |
| Liquid | PRV | 1/2"-4" | 15 | 20 | 5-8 | 16 | Ft/Sec |
| | | 6" | 15 | 25 | 7-12 | 20 | |
| | | 8"-12" | - | - | 9-14 | 24 | |
| Gas | PRV | 1/2"-1" | 0.20 | 0.40 | 0.15 | 0.30 | Mach # |
| | | 1-1/4"-2" | 0.25 | 0.45 | 0.20 | 0.30 | |
| | | 2-1/2"-6" | 0.30 | 0.50 | 0.25 | 0.35 | |
| | | 8"-12" | - | - | 0.25 | 0.40 | |
| Steam | PRV | 1/2"-1" | 0.20 | 0.30 | 0.10 | 0.30 | Mach # |
| | | 1-1/4"-2" | 0.22 | 0.32 | 0.12 | | |
| | | 2-1/2"-6" | 0.25 | 0.35 | 0.20 | | |
| | | 8"-12" | - | - | 0.22 | | |
| NOTES: 1. Liquids experiencing no 2-phase flow at valve outlet will have same valve body outlet velocity as inlet velocity. 2. Liquids experiencing 2-phase flow at valve outlet should have average velocity less than 150-200 ft/sec. 3. Liquids experiencing 2-phase flow at outlet pipe should have average velocity less than 20-50 ft/sec. 4. If valve outlet exceeds recommended limits, then can use external sensing to reach maximum limits. 5. On gas service, a pilot operated prv can work with a outlet Mach = 0.75. | | | | | | | |

**TABLE DAG 13
MAXIMUM RECOMMENDED NOISE LIMITS ***

| Criteria | Body Sizes | | Noise Level - dBA |
|---|------------|----------|-------------------|
| | in | (DN) | |
| Per OSHA Regs. w/noise attenuation methods incorporated. | All | All | 85-95 |
| Sch. 80 pipe, no insulation. | 1/2"-2" | (15-50) | 95 |
| Std. wt. pipe, no insulation. | 2-1/2"-4" | (65-100) | 98 |
| * Consult Factory for ALL applications exceeding 97 dBA noise prediction. | | | |

Schemes To Reduce High Noise –

- **Staging** – using two separate throttling valves in series.
- **dB Plates** – using 1, 2 or 3-stage dB Plate cartridges downstream of a throttling valve.
- **Paralleling** – using two separate throttling valves in parallel.
- **Combinations** – using multiple methods of above three possibilities.

TABLE DAG-14
RECOMMENDED INTERNAL MATERIALS
For P_{max} Reference Individual Technical Bulletins

| | LIQUIDS | | | |
|----------------------------|--|---------|---------|------------|
| | Fluid | Tmax °F | Tmin °F | Metal Trim |
| LIQUIDS | Industrial Water – Cold | 180° | 32° | P1 |
| | Hot | 225° | 32° | P4 |
| | DI, DM | 225° | 32° | PJ |
| | | 250° | 32° | PL |
| | Seawater | 180° | -20° | MQ, MW |
| | Fuel Oils – Diesel, #1, #2‡ | 180° | -30° | P5 |
| | Bunker C, #3 - #6‡ | 180° | -30° | P5 |
| | | 400° | 0° | PC |
| | Jet Fuel JP3, JP4, JP5, JP6‡ | 400° | 0° | PC |
| | Kerosene‡ | 400° | 0° | PC |
| | Crude Oils – Sweet‡ | 225° | 0° | PA |
| | | 400° | 0° | PC |
| | Sour‡ | 225° | 0° | NS |
| | Heat Transfer Oils – Dowtherm, Therminol, Mobil-Therm, Silvatherm | 400° | 0° | PC |
| | Misc. Oils – Lube Oil‡ | 180° | -30° | P5 |
| Naptha‡ | 400° | 0° | PC | |
| Turbine Oil‡ | 225° | 0° | PA | |
| LIQUIDS | Edible Oils – Vegetable Oil‡ | 180° | -30° | PH |
| | Animal Fats‡ | 180° | -30° | PH |
| | Seed Oils‡ | 180° | -30° | PH |
| | Inorganic Acids – Acetic - 5% | 100° | 0° | SL |
| | | 100° | 0° | SL |
| | Sulfuric - conc. | 100° | 0° | CF * |
| | Sulfuric - dilute | 100° | 0° | CF * |
| | Nitric - conc. | 140° | 0° | SL |
| | Nitric - dilute | 140° | 0° | SL |
| | Hydrofluoric (air free) - dilute, concentrate | 100° | 0° | CF * |
| | Hydrobromic | 140° | 0° | CF * |
| | Phosphoric - dilute, concentrate | 150° | 0° | SL |
| | Misc. Liquids – Gasoline‡ | 150° | -30° | P5 |
| | Benzene (C ₆ H ₆)‡ | 150° | 0° | SL |
| | Chlorine (Cl ₂) | 150° | 0° | ML |
| Bromine (Br ₂) | 150° | 0° | CF * | |
| Ammonia (NH ₃) | 140° | 0° | SL | |
| LIQUIDS | Hydrogen Peroxide (H ₂ O ₂) | 125° | 0° | SL |
| | Hydrogen Chloride (HCl) | 125° | 0° | ML |
| | Hydrogen Bromide (HBr) | 125° | 0° | SL |
| | Cane Sugar Liquor | 180° | 0° | PH |

‡ In accordance with ASME B31.3 "Process Piping", do not use Ductile Iron Body for hydrocarbon or flammable service with inlet pressures greater than 150 psig (10.3 Barg) or temperatures greater than 300 deg F (149 deg C).
 * CF = Consult Factory

| | GASES | | | |
|-----------------------|---|---------|---------|------|
| | Fluid | Tmax °F | Tmin °F | Trim |
| Atmospheric Gases | Atmospheric Gases – O ₂ (GOX) | 225° | -60° | M7 |
| | | 350° | -65° | M9 |
| | | 350° | -325° | TN |
| | N ₂ (GN ₂), Air, Argon | 180° | -60° | P2 |
| | | 350° | -65° | P8 |
| | CO ₂ (dry) | 180° | -40° | P6 |
| CO ₂ (wet) | 180° | -40° | P5 | |
| Process Gases | Process Gases – Nat. Gas (Sweet) | 180° | -65° | P9 |
| | Nat. Gas (Sour) | 180° | -40° | NR |
| | LPG (propane) | 180° | -40° | PH |
| | Ammonia | 120° | -40° | CF * |
| | Hydrogen | 180° | -325° | SN |
| | Helium | 180° | -325° | SN |
| | Chlorine (dry) | 200° | 0° | ME |
| | Hydrogen Chloride (dry) | 120° | -40° | SJ |
| | Hydrogen Bromide (dry) | 120° | 0° | PE |
| | Hydrogen Fluoride (dry) | 120° | 0° | PE |
| | Hydrogen Sulfide (dry) | 140° | 0° | NS |
| | Hydrogen Sulfide (wet) | 140° | 0° | NS |
| Sulfur Dioxide (dry) | 120° | 0° | PE | |
| STEAM | P1 ≤ 125 psig | 350° | — | PG |

DAG-14 SUPPLEMENT CHEMICAL RESISTANCE

General Statement: Statements located within this technical bulletin concerning suitability of fluids with TFE materials are general statements, and should not be construed as recommendations. Any statements of suitability are the result of a compilation of various sources of information based on experience, tests, and published technical literature. No guarantee or warranty is in anyway implied for a given particular service or application.

Additional Reference: For an inclusive listing covering a broader range of service application fluids, reference "Handbook of Corrosion Resistant Piping", P.A. Schweitzer, Industrial Press or "Compass Corrosion Guide", 2nd Edition, K.M. Pruett, Compass Publications. This publication will include information based on the following fluid variables:

1. Solution concentration
2. Pressure
3. Temperature

DAG-15

Inverse Sympathetic Ratio (ISR) - effect on regulator performance.

DA1 regulators utilize a top and bottom guide, "flow to open" trim design. The top guide also acts as a "balancing" piston to oppose the forces generated by the inlet pressure acting on the valve plug. A small residual imbalance between the piston and the valve plug helps to reduce seat leakage at high differential pressures across the seat joint. This same imbalance produces an Inverse Sympathetic Ratio, ISR effect, as the delta pressure across the seat (DP) changes. The magnitude of the ISR effect is given in Table DAG-15 for both the pressure reducing and back pressure designs.

| TABLE DAG-15 | | |
|-------------------|-----------------|-----------------------|
| Body Size | | PRV - DA1/DA2/DA4/DAP |
| in | (DN) | |
| 1/2", 3/4", 1" | (15,20,25) | 0.03 |
| 1-1/4", 1-1/2" | (32,40) | 0.04 |
| 2" | (50) | 0.02 |
| 2-1/2", 3", 4" | (65,80, 100) | 0.054 |

A typical example of the ISR effect is the rise in outlet setpoint as the inlet pressure decays from a pressure vessel or compressed gas bottle. A 1" DA1 connected to a nitrogen bottle at 3000 psig can be adjusted to deliver downstream pressure, P2, of 100 psig. The P2 will rise to 181.48 psig as the compressed gas bottle pressure decays to 284 psig, because of the ISR effect. The calculation follows below:

$$P_{sp} = P_2 + (ISR \times \Delta P_1)$$

$$\Delta P_1 = \text{INITIAL INLET} - \text{FINAL INLET}. (3000 - 284) = 2716$$

$$P_2 = 100$$

$$ISR = 0.03 \text{ (1.0" DA1)}$$

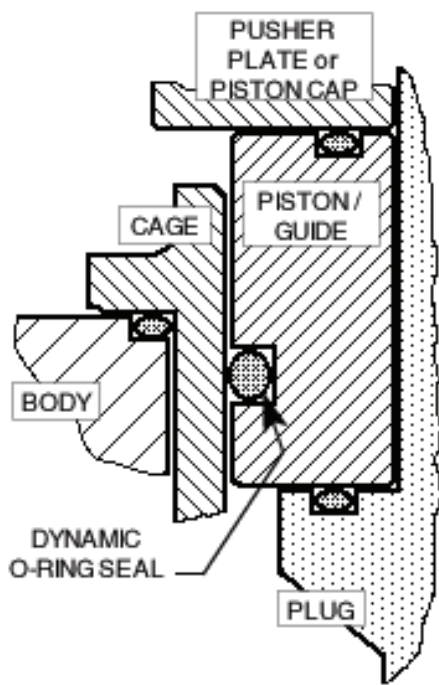
$$P_{sp} = 100 + (0.03 \times 2716)$$

$$P_{sp} = 181.48$$

NOTE: For a rising DP across the seat, the ISR effect would cause a downward shift or offset in the setpoint.

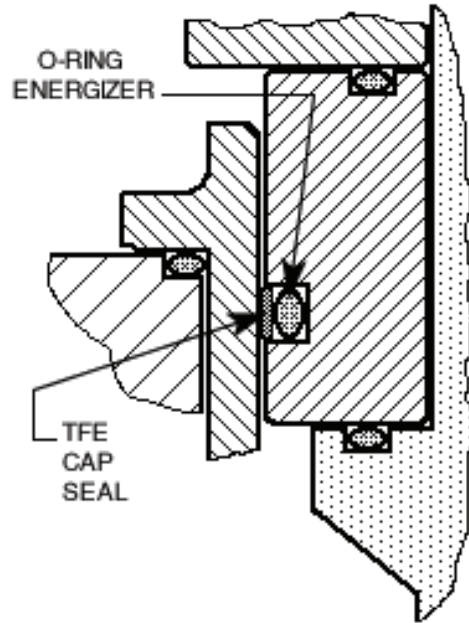
If the ISR effect is unacceptable, then two regulators installed in series will greatly reduce the overall ISR effect. Overall ISR effect = ISR (first stage regulator) x ISR (second stage regulator). For example, in the same application of a N2 bottle source using two 1" DA1 regulators, the setpoint offset - $0.03 \times 0.03 \times 2716 = 2.44$. In summary, the outlet pressure will rise from 100 psig to 102.44 psig as the inlet pressure decays from 3000 psig to 200 psig.

In a similar manner the ISR effect will produce an offset between the loading pressure, PL, and the pressure setpoint of a dome loaded regulator. For example, a 4" DA4 with an inlet pressure, P1 of 300 psig and an outlet pressure, P2 of 50 psig would require a loading pressure, $PL = (P_1 - P_2) \times ISR + P_2 = (300 - 50) \times 0.054 + 50 = 63.5$ psig. In addition, if the DP changes, then a setpoint offset would be observed with a constant loading pressure.



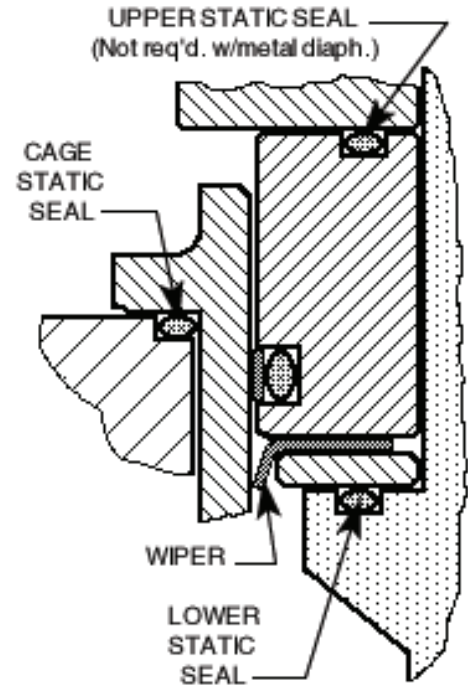
O-RING DYNAMIC SEAL

PRV, BPV



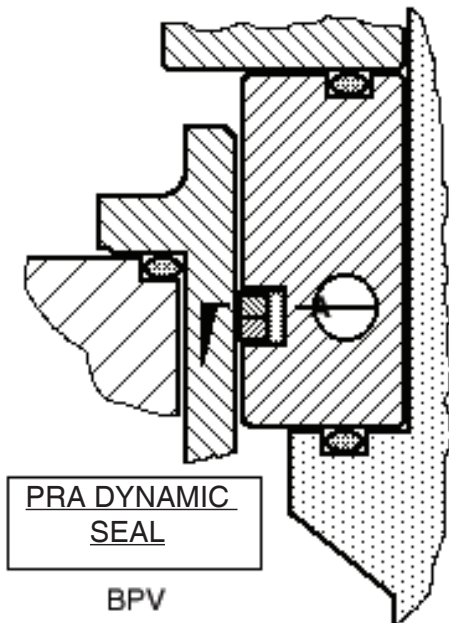
TFE CAP DYNAMIC SEAL

BPV



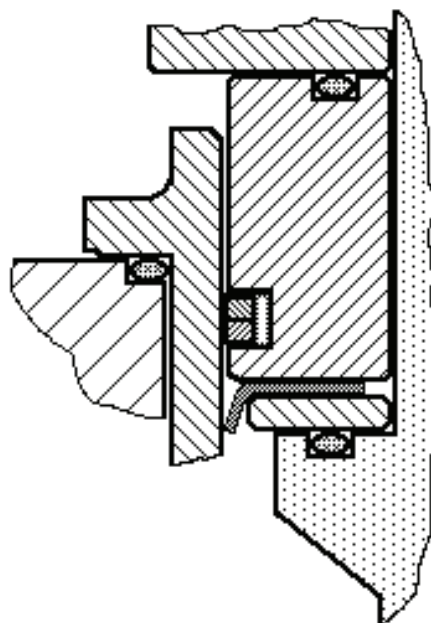
TFE CAP DYNAMIC SEAL + WIPER

PRV



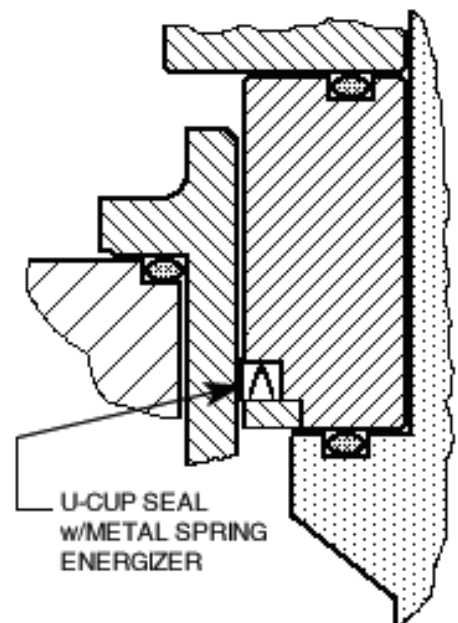
PRA DYNAMIC SEAL

BPV



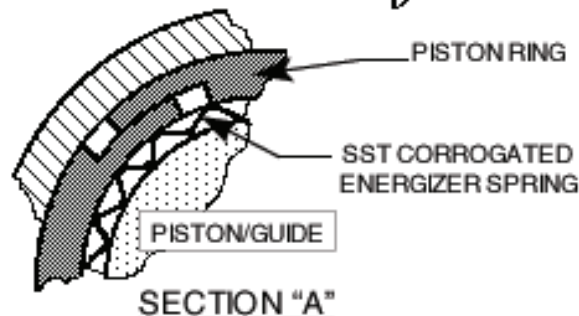
PRA DYNAMIC SEAL + WIPER

PRV



U-CUP DYNAMIC SEAL

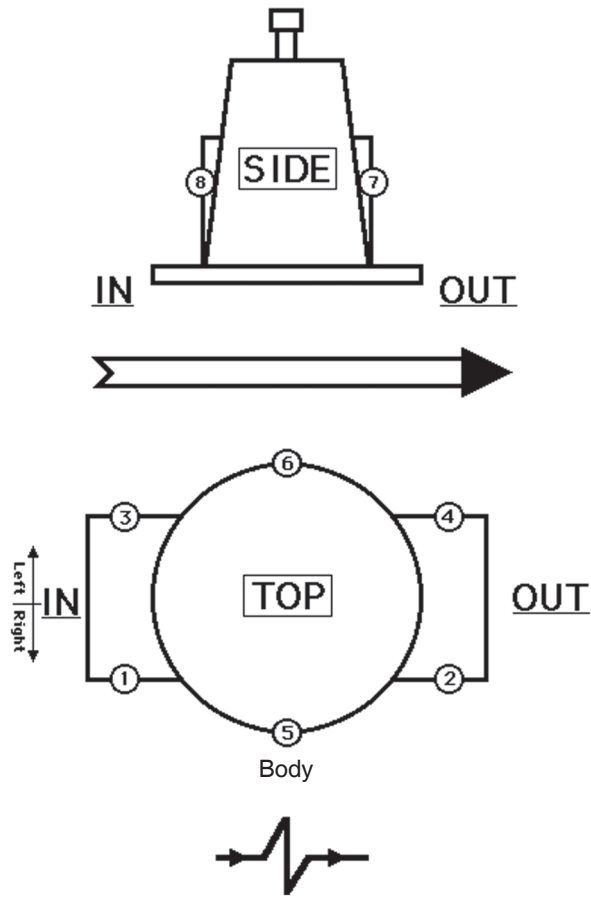
PRV, BPV



SECTION "A"

FIGURE DAG-F1
DYNAMIC & STATIC SEALS

FIGURE DAG-F2
Location of BODY / SPRING CHAMBER TAPS

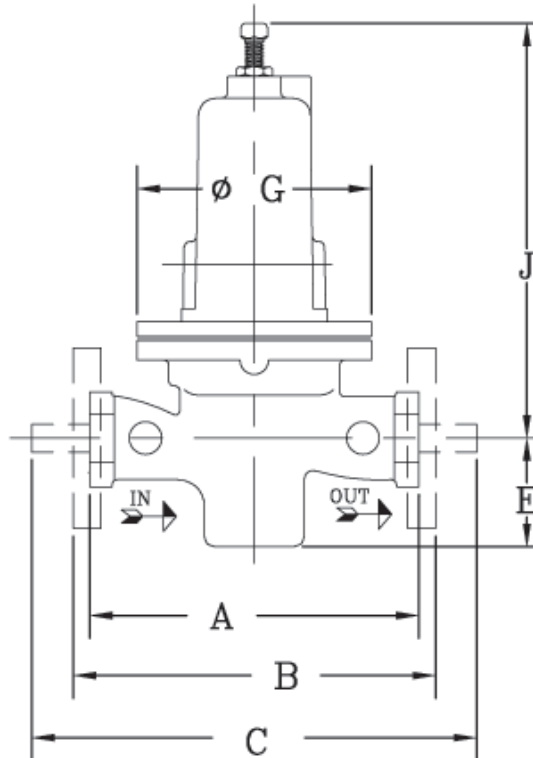


Flow To Open Direction

| Location | Description | Opt. No. | NPT - Size | Body Mat'l. |
|-------------|---|----------|------------|-------------------|
| 1 & 2 | Inlet & Outlet – Right | STD | 1/4" | DI, CS & SST |
| 1, 2 & 3 | Inlet & Outlet – Right | STD | 1/4" | BRZ |
| 5 | External Sensing – Right | STD | 1/4" | DI, BRZ, CS & SST |
| 1, 2, 3 & 4 | Inlet & Outlet – Right Inlet & Outlet – Left | 85 | 1/4" | DI, BRZ, CS & SST |
| 5 & 6 | Double External Sensing | 85 | 1/4" | DI, BRZ, CS & SST |

| Location | Description | Opt. No. | NPT - Size | Sp. Ch. Mat'l. |
|----------|--------------------------|----------|------------|-------------------|
| 7 | Spring Ch. – Outlet Side | 25 | 1/4" | DI, BRZ, CS & SST |

DIMENSION and WEIGHTS



ENGLISH UNITS (in) (lbs)

METRIC UNITS (mm) (kg)

| Dimen. | End Conn. | Body Mat'l. | Body Size | | | | | |
|------------------------|--------------------|-------------|-----------------------|-----------------------|-------|--------|-------|-------|
| | | | 1/2", 3/4" & 1" | 1-1/4" & 1-1/2" | 2" | 2-1/2" | 3" | 4" |
| A | NPT | DI, BRZ | 6.00 | 9.88 | 9.88 | X | | |
| | | CS, SST, HC | 8.25 | 9.88 | 9.75 | | | |
| B | 125# FF | DI | X | | | 10.88 | 11.75 | 13.88 |
| | 250# RF | DI | | | | 11.50 | 12.50 | 14.50 |
| | 150# FF | BRZ ** | 9.63 | 11.50 √ | 11.50 | 10.88 | 11.75 | 13.88 |
| | 300# FF | BRZ ** | 9.63 | 11.50 √ | 11.50 | 11.50 | 12.15 | 14.50 |
| | 150# RF | CS, SST | 10.75 | 12.38 √ | 10.00 | 10.88 | 11.75 | 13.88 |
| | | HC * | | | 13.75 | — | — | — |
| | 150# RF ‡ | CS, SST | 14.00 | 14.00 √ | 14.00 | — | — | — |
| | 300# RF | CS, SST | 10.75 | 12.38 √ | 10.50 | 11.50 | 12.50 | 14.50 |
| | | HC * | | | 14.25 | — | — | — |
| | 300# RF ‡ | CS, SST | 14.00 | 14.00 √ | 14.00 | — | — | — |
| 600# RF | CS, SST | 10.75 | 12.38 √ | 11.25 | 12.25 | 13.25 | 15.50 | |
| 600# RF ‡ | CS, SST | 14.00 | 14.00 | 14.00 | — | — | — | |
| C | Opt-32 EXT NIPS | CS, SST | 14.00 | 15.75 | 15.75 | X | | |
| | OPT-41 | SST | 11.00 | 15.25 | 15.50 | | | |
| E | All | All | 2.84 | 3.69 | 4.00 | 5.25 | 5.75 | 7.00 |
| G | All | All | 6.00 | 7.00 | 8.00 | 10.00 | 11.00 | 11.13 |
| J | All | All | 12.38 | 14.25 | 16.00 | 26.50 | 27.25 | 27.75 |
| J w/ Opt-80 | All | All | 17.00 | 17.50 | 19.00 | — | — | — |
| WEIGHT | w/ Flanges | All | 28 | 43 | 52 | — | — | — |
| | w/Flanges | All | 35 | 55 | 68 | 100 | 175 | 190 |

| End Conn. | Body Size | | | | | |
|--------------------|-------------------------|-------------------|------|------|------|-------|
| | DN15, DN20 & DN25 | DN32 & DN40 | DN50 | DN65 | DN80 | DN100 |
| NPT | 152 | 251 | 251 | X | | |
| | 209 | 251 | 248 | | | |
| 125# FF | X | | | 276 | 298 | 352 |
| 250# RF | | | | 292 | 318 | 368 |
| 150# FF | 246 | 292 √ | 292 | 276 | 298 | 352 |
| 300# FF | 246 | 292 √ | 292 | 292 | 309 | 368 |
| 150# RF | 273 | 314 √ | 254 | 276 | 298 | 352 |
| | | | 349 | — | — | — |
| 150# RF ‡ | 356 | 356 √ | 356 | — | — | — |
| 300# RF | 273 | 314 √ | 267 | 292 | 318 | 368 |
| | | | 362 | — | — | — |
| 300# RF ‡ | 356 | 356 √ | 356 | — | — | — |
| 600# RF | 273 | 314 √ | 286 | 311 | 336 | 394 |
| 600# RF ‡ | 356 | 356 | 356 | — | — | — |
| Opt-32 EXT NIPS | 356 | 400 | 400 | X | | |
| OPT-41 | 279 | 387 | 394 | | | |
| All | 72 | 94 | 102 | 133 | 146 | 178 |
| All | 152 | 178 | 203 | 254 | 279 | 283 |
| All | 314 | 362 | 406 | 673 | 692 | 705 |
| All | 432 | 444 | 483 | — | — | — |
| w/ Flanges | 13 | 20 | 24 | — | — | — |
| w/Flanges | 16 | 25 | 31 | 45 | 79 | 86 |

* HC body material available in sizes 1", 1-1/2", & 2" ONLY.
 ** Flanged BRZ bodies available in sizes 1", 1-1/2", 2", 2-1/2", 3", & 4" ONLY.
 √ Flange Connections not available for 1-1/4" size.
 ‡ Opt-34: Special 14" F to F Flange dimensions, CS and SST body material only.
 Consult Factory for dimensions of ISO DIN Flanged units. (PN16, PN25, PN40)

The contents of this publication are presented for informational purposes only, and while every effort has been made to ensure their accuracy, they are not to be construed as warranties or guarantees, express or implied, regarding the products or services described herein or their use or applicability. We reserve the right to modify or improve the designs or specifications of such product at any time without notice. Cashco, Inc. does not assume responsibility for the selection, use or maintenance of any product. Responsibility for proper selection, use and maintenance of any Cashco, Inc. product remains solely with the purchaser.

MODEL DA1 PRODUCT CODER 02/07/20

An "X" in POS 12 followed by a 5-digit control number overrides remaining selections.

D1

POS 3

POS 5

POS 6 & 7

7

POS 10

POS 11

POS 12

POS 13

POS 14

POS 15

POS 16

OE

| POSITION 3 - SIZE | | |
|-------------------|-------|------|
| Size | (DN) | CODE |
| 1/2" | (15) | 4 |
| 3/4" | (20) | 5 |
| 1" | (25) | 6 |
| 1-1/4" | (32) | 7 |
| 1-1/2" | (40) | 8 |
| 2" | (50) | 9 |
| 2-1/2" | (65) | A |
| 3" | (80) | B |
| 4" | (100) | C |

* Not available with metal diaphragms.

| POSITION 5 - BODY & SPRING CHAMBER MATERIALS | | | |
|--|------|-----------------------|------|
| Materials | CODE | Materials | CODE |
| DI/DI | 1 | SST/DI | 7 |
| BRZ/DI | 2 | SST/CS * | 9 |
| BRZ/BRZ *** ‡‡ | B | SST/SST * / ***** | A |
| BRZ/CS * | J | Dup SST/CS * / ***** | F |
| BRZ/SST * | D | Dup SST/SST * / ***** | L |
| CS/DI | 4 | Dup SST/Dup SST ***** | M |
| CS/CS * | 5 | HC/CS ‡‡ | G |
| LCC/LCC | 6 | HC/SST ‡‡ | H |
| LCC/SST * | 8 | | |

* For Opt-80 Select CS or SST Spring Chamber Material except in Canada, use SST. See Position 11.
 *** Select for Opt-5 ***** Select for Opt-36
 ***** Select for Sea water ‡‡ Sizes 1/2" - 2" Except No 1-1/4"

| POSITION 6 & 7 - DIAPHRAGM, SEAL & SEAT MATERIALS | | | | | | |
|---|---------------|-----------|-----------------|--------------------|--------------------|------|
| Trim | Seat (#) | Diaphragm | Static Seal | Dynamic Seal | CODE | |
| 17-4PH SST "P" | PA | BC | NBR | O-ring ^ | P1 | |
| | PA / (BC) | BC | NBR | SST/TFE u-cup ^ | P2 / (PU) | |
| | CTFE | BC | NBR | SST/TFE u-cup ^ | P3 | |
| | PA | EPR | EPR | O-ring ^ | P4 | |
| | PA | NBR | NBR | O-ring | P5 | |
| | PA / (NBR) | NBR | NBR | SST/TFE u-cup | P6 / (PW) | |
| | PA | FK | FK | SST/TFE u-cup ^ | P7 ‡ | |
| | GF-TFE | FK | FK | SST/TFE u-cup | P8 ‡ | |
| | V-TFE | FK | FK | SST/TFE u-cup | P9 ‡ | |
| | PA | FKM | FKM | O-ring | PA | |
| | PA | FKM | FKM | SST/TFE u-cup ^ | PB | |
| | GF-TFE | FKM | FKM | O-ring | PC | |
| | GF-TFE | FKM | FKM | SST/TFE u-cup | PD | |
| | V-TFE | FKM + TFE | SST/TFE u-cup √ | SST/TFE u-cup | PE | |
| | GF-TFE | 3-ply | RTFE | SST/TFE u-cup \$ | PF | |
| | GF-TFE | 3-ply | RTFE | PRA + W \$ | PG | |
| | PA / (NBR) | NBR | NBR | TFE+NBR GFTFE CW | PH / (PY) | |
| | PA | EPR | EPR | TFE+EPR GFTFE CW | PJ | |
| | PA | FK | FK | TFE+FK GFTFE CW | PK | |
| | GF-TFE | FKM | FKM | TFE+FKM GFTFE CW | PL | |
| | FKM | FKM | FKM | SST/TFE u-cup | PZ | |
| | Hastelloy "H" | PA | FK | FK | Hast-C/TFE u-cup | H7 |
| | | V-TFE | FK | FK | Hast-C/TFE u-cup | H9 |
| | | GF-TFE | FKM | FKM | Hast-C/TFE u-cup | HD |
| | Monel "M" | PA | FK | FK | SST/TFE u-cup ‡‡ ^ | M7 ‡ |
| | | V-TFE | FK | FK | SST/TFE u-cup ^ | M9 ‡ |
| | | V-TFE | FKM-TFE | SST/TFE u-cup √ | SST/TFE u-cup | ME |
| | PA / (NBR) | NBR | NBR | TFE+NBR GFTFE CW | MH / (MY) | |
| | PA | EPR | EPR | TFE+EPR GFTFE CW | MJ | |
| | PA | FK | FK | TFE+FK GFTFE CW | MK | |
| | GF-TFE | FKM | FKM | TFE+FKM GFTFE CW | ML | |
| | V-TFE | FKM | FKM | O-ring | MQ | |
| NBR | NBR | NBR | O-ring | MW | | |
| FKM | FKM | FKM | SST/TFE u-cup | MZ | | |
| 316L SST "S" | PA | FK | FK | SST/TFE u-cup | S7 ‡ | |
| | V-TFE | FK | FK | SST/TFE u-cup | S9 ‡ | |
| | PA | BE-CU * | SST/TFE u-cup | SST/TFE u-cup | SM | |
| | V-TFE | BE-CU * | SST/TFE u-cup | SST/TFE u-cup ** | SN | |
| | PA / (NBR) | NBR | NBR | TFE+NBR GFTFE CW | SH / (SY) | |
| | PA | EPR | EPR | TFE+EPR GFTFE CW | SJ | |
| | PA | FK | FK | TFE+FK GFTFE CW | SK | |
| | GF-TFE | FKM | FKM | TFE+FKM GFTFE CW | SL | |
| | PA | BC | V-TFE | ELG/TFE u-cup ^ | NP ‡ | |
| | PA | NBR | NBR | ELG/TFE u-cup | NR | |
| | PA | FKM | FKM | ELG/TFE u-cup | NS | |
| | NACE OPT-40 | FKM | FKM | ELG/TFE u-cup | NF | |
| | CTFE | NBR | V-TFE | ELG/TFE u-cup | NT ‡ | |
| | V-TFE | BC | VTFE | ELG/TFE u-cup ^ | NV ‡ | |
| | PA | FK | FK | SST/TFE u-cup ‡‡ ^ | T7 ‡ | |
| | V-TFE | FK | FK | SST/TFE u-cup ^ | T9 ‡ | |
| | PA | BE-CU * | SST/TFE u-cup | SST/TFE u-cup | TM | |
| | V-TFE | BE-CU * | SST/TFE u-cup | SST/TFE u-cup ** | TN | |
| | PA | FK | FK | TFE+FK GFTFE CW | TK | |

‡‡ For GOX service, PA seats allowed in BRZ Bodies w/ trim materials "M" or "T" only.
 ^ Only trims that may be used with Opt. -80.
 * 2-1/2" - 4" sizes are not available with metal diaphragm. ** Use for Opt-5 or -36.
 ‡ For Low Ambient Temperatures (See DAG-5 & -14 for Min. Temperatures).
 √ Sizes 2-1/2"-4" use V-TFE static seal. \$ For Steam Applications Max Press < 125 psig.
 (#) BC and NBR Seat material not available for 2-1/2" size.

| POSITION 10 - END CONNECTIONS / ASME | | | | | | | | | |
|--------------------------------------|----------|--------|---------------------------|------|----------|------|----------|------|------|
| Size | Material | Option | End Conn | CODE | End Conn | CODE | End Conn | CODE | CODE |
| 1/2" - 2" | ALL | - | NPT | 1 | - | - | - | - | - |
| 2-1/2" - 4" | DI | - | 125#FF | 2 | 250#RF | 3 | - | - | - |
| 1", 1-1/2" - 4" | BRZ | - | 150#FF | 6 | 300#FF | 7 | - | - | - |
| 1/2" - 4" | CS,SST | -30 * | 150#RF | 4 | 300#RF | 5 | 600# RF | 8 | |
| 1" - 2" | HC | -30 * | | | | | | | |
| 1/2" - 2" | ALL | -31 | BSPT | P | - | - | - | - | - |
| 1/2" - 2" | CS, SST | -32 | Extended Nipples | | | E | - | - | - |
| 1/2" - 2" (14" F to F) | CS, SST | -34 * | 150#RF | V | 300#RF | W | 600#RF | Y | |
| 1/2" - 1", 1-1/2" - 2" | SST | -41 | Non-High Purity Tube Ends | | | T | - | - | - |

| END CONNECTIONS FOR ISO DIN FLANGES | | | | | | | | |
|-------------------------------------|----------|--------|--|------|---------|------|---------|---|
| DN | Material | Option | Flange | CODE | Flange | CODE | | |
| DN15-25, 40, 50 | BRZ | - | PN40 FF - will mate with PN16, 25 and 40 | J | | | | |
| DN65-100 | | | PN16 FF | K | PN25 FF | L | PN40 FF | M |
| DN15-25, 40, 50 | HC | -30 | PN40 RF - will mate with PN16, 25 and 40 | D | | | | |
| DN15-100 | CS, SST | -30 | PN16 RF | A | PN25 RF | C | PN40 RF | G |

* Flanges Not Available for 1-1/4" (DN32) size.
 ** Not available in HC material

| POSITION 11 - RANGE SPRINGS | | | | | | | |
|---------------------------------|----------------|-----------|------|-----------|----------------|----------|------|
| Body Size | Pressure Range | | CODE | Body Size | Pressure Range | | CODE |
| | psig | barg | | | psig | barg | |
| 1/2", 3/4" & 1" (DN15, 20 & 25) | 1-5 ^ | .07-34 | 1 | 2" (DN50) | 1-5 ^ | .07-34 | 1 |
| | 1-10 ^ | .07-68 | S | | 1-10 ^ | .07-68 | S |
| | 5-20 | .34-1.3 | A | | 5-15 | .34-1.0 | M |
| | 10-35 | .68-2.4 | B | | 10-30 | .68-2.0 | N |
| | 20-80 | 1.3-5.5 | C | | 15-50 | 1.0-3.4 | P |
| | 30-150 | 2.0-10.3 | D | | 30-90 | 2.0-6.2 | Q |
| | 70-200 | 4.8-13.7 | E | | 50-150 | 3.4-10.3 | R |
| | 100-300 | 6.8-20.6 | F | | 80-225 * | 5.5-15.5 | Z |
| | 200-450 * | 13.7-31.0 | G | | 80-275 * | 5.5-18.9 | 4 |
| 1-1/4" & 1-1/2" (DN32 & 40) | 1-5 ^ | .07-34 | 1 | 2-1/2", | 1-10 | .07-68 | S |
| | 1-10 ^ | .07-68 | S | 3" | 5-20 | .34-1.3 | A |
| | 5-20 | .34-1.3 | A | 80 | 10-40 | .68-2.7 | T |
| | 15-45 | 1.0-3.1 | H | (DN65, | 10-70 | .68-4.8 | J |
| | 10-70 | .68-4.8 | J | & 100) | 40-125 | 2.7-8.6 | K |
| | 40-175 | 2.7-12.0 | 2 | | 50-225 | 3.4-15.5 | 3 |
| | 70-200 | 4.8-13.7 | E | | | | |
| | 100-350 * | 6.8-24.1 | Y | | | | |
| | 100-400 * | 6.8-27.5 | 6 | | | | |

* Opt-80 - High Outlet Pressure requires CS or SST Sp.Ch. only. See Position 5.
 ^ Comp diaphragm only.

| POSITION 12 - SENSING FLOW DIRECTION | | Option | CODE |
|--|---|--------|------|
| Internal | 1 | | |
| External | 2 | | |
| Large Internal | 4 | | |
| For Special Construction Contact Cashco for Special Code | X | | |

| POSITION 14 - SPRING CHAMBER OPTIONS | | Option | CODE |
|---|------|--------|------|
| No Option | - | - | 0 |
| 1/4" (DN8) NPT Vent Tap. | -25 | E | |
| Vent Screen (Includes Opt.-25) | -25S | H | |
| POSITION 15 - BODY OPTIONS | | Option | CODE |
| No Option | - | - | 0 |
| Second "Set" of 1/4" (DN8) FNPT Pressure Taps & Plugs | -85 | T | |
| POSITION 16 - CERTIFICATE OPTIONS | | Option | CODE |
| No Option | - | - | 0 |
| NACE CONST: CS/CS, LCC/LCC, LCC/SST, SST/CS or SST/ SST All Sizes Except 1-1/4" per MR0175 | -40 | J | |
| SPECIAL CLEANING: Per Spec #S-1134. W/ properly selected mat'ls. Suitable for Oxygen Service. BRZ or SST body material. | -55 | M | |
| SPECIAL CLEANING: Per Cashco Spec #S-1542. | -56 | N | |
| SPECIAL CLEANING: Per Cashco Spec #S-1589 Cl2 Service. | -57 | P | |

*** For information on ATEX see pages 17 & 18 on the IOM.**

| POSITION 13 - FEATURE OPTIONS | | | Option | CODE |
|--|-----------|---|--------|------|
| No Option | - | - | - | 0 |
| TFE Diaphragm Cover. | -9 | - | - | 2 |
| Cryogenic Construction (Select Cleaning Spec. Opt.-55 or -56 from Position 16. | -5 or -36 | - | - | C |

Cashco, Inc.
P.O. Box 6
Ellsworth, KS 67439-0006
PH (785) 472-4461
Fax. # (785) 472-3539
www.cashco.com
email: sales@cashco.com
Printed in U.S.A. DA1-TB

Cashco GmbH
Handwerkerstrasse 15
15366 Hoppegarten, Germany
PH +49 3342 30968 0
Fax. No. +49 3342 30968 29
www.cashco.com
email: germany@cashco.com

Cashco do Brasil, Ltda.
Al.Venus, 340
Indaiatuba - Sao Paulo, Brazil
PH +55 11 99677 7177
Fax. No.
www.cashco.com
email: brazil@cashco.com