

**DESCRIPTION**

Solenoid valve 2 way normally closed direct acting poppet type, suitable for food applications and all compatible fluids.

**CONSTRUCTION**

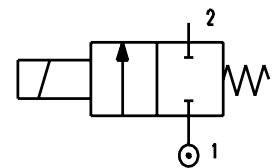
Body	Thermoplastic polymer ACS, KTW, W270, WRAS, NSF, FDA certified
Armature tube	Brass chemically nickel plated
Plunger and core	AISI 430FR
Springs	AISI 302
Seal material	NBR - FPM - EPDM



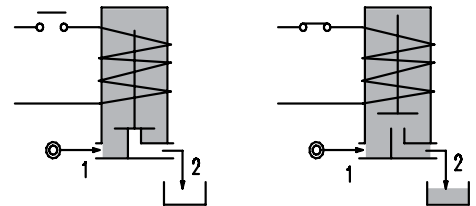
2

**FEATURES**

Maximum allowable pressure PS 30bar<sup>④</sup>  
 Maximum fluid viscosity 25cSt (mm<sup>2</sup>/s)  
 Ambient temperature: from -10°C to +80°C according to the coil  
 Universal mounting position



**OPTIONS:** Stainless steel armature tube  
 Type N connection without nut  
 cULus certified coils



CONNECTION					
K	N	P	W	Y	Z
<b>SPIGGOT</b>	<b>G1/8" male thread with NUT for flexible pipes</b>	<b>HOSETAIL for flexible pipes</b>	<b>COMPRESSION for flexible and semiflexible pipes</b>	<b>PUSH IN for semiflexible pipes Øext 6</b>	<b>PUSH IN for semiflexible pipes Øext 4</b>

CODE	Connection *	Orifice mm	Kv m <sup>3</sup> /h	Differential pressure bar			Nominal power			Coil		Seal	Temp. range **
				Min	Max		AC	VA	DC	Series	Width		
E135*...15///...	K-N-P-W-Y-Z	1.5	0.06	0	16	16	12	8	6.5	3	22	NBR=B	-10 +90
E135*...20///...	K-N-P-W-Y-Z	2	0.09	0	12	10							
E135*...25///...	K-N-P-W-Y-Z	2.5	0.14	0	8	5.5							
E135*...30///...	K-N-P-Y	3	0.19	0	4.5	2							
E135*...40///...	N-P-Y	4	0.35	0	2.5	1.2	15	11	5	4	30	EPDM=E	-10 +140
E135*...20///...	K-N-P-W-Y-Z	2	0.09	0	25	15							
E135*...25///...	K-N-P-W-Y-Z	2.5	0.14	0	16	8							
E135*...30///...	K-N-P-Y	3	0.19	0	8	4							
E135*...40///...	N-P-Y	4	0.35	0	5	2.5						FPM=V	-10 +140

- ① Seal
  - ② Coil
  - ③ Only for connection "W"
  - ④ **REMARK**
- Example: E135KB20///30B NBR seal SPIGGOT connection  
 Coil 24V 50/60Hz  
 E135W.../1/...

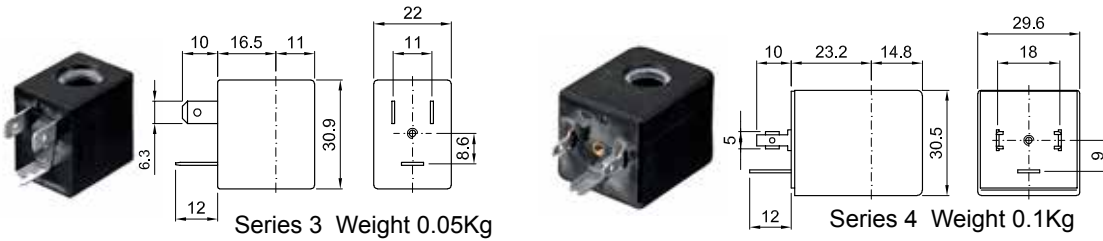
The maximum allowable pressure PS for steam is 2.5bar (gauge pressure)  
 The maximum allowable pressure is related to the type of connection and pipe used

\*\* The temperature range is related to the material of the seals (NBR, EPDM, FPM), and the valves' body.  
 Please contact us concerning the temperature range referred to the different types of connection.

COILS	Alternating Current 50/60Hz (V)							Direct Current (V)			Electrical connection	Connectors
	12	24	48	110	220 230	240	380	12	24	48		
Series 3 Width 22 Code ②	30A	30B	30C	30D	30E	30F	30G	300	301	302	DIN 46244	PG9 code 10348000
Series 4 Width 30 Code ②	40A	40B	40C	40D	40E	40F	40G	400	401	402	DIN 43650A	PG9 code 10349000

**DESCRIPTION**  
 Class F insulation  
 Voltage tolerance  
 AC +15% -10%  
 DC ± 10%  
 Protection class  
 IP65 with connector fitted  
 IP00 without connector  
 Continuous service ED100%

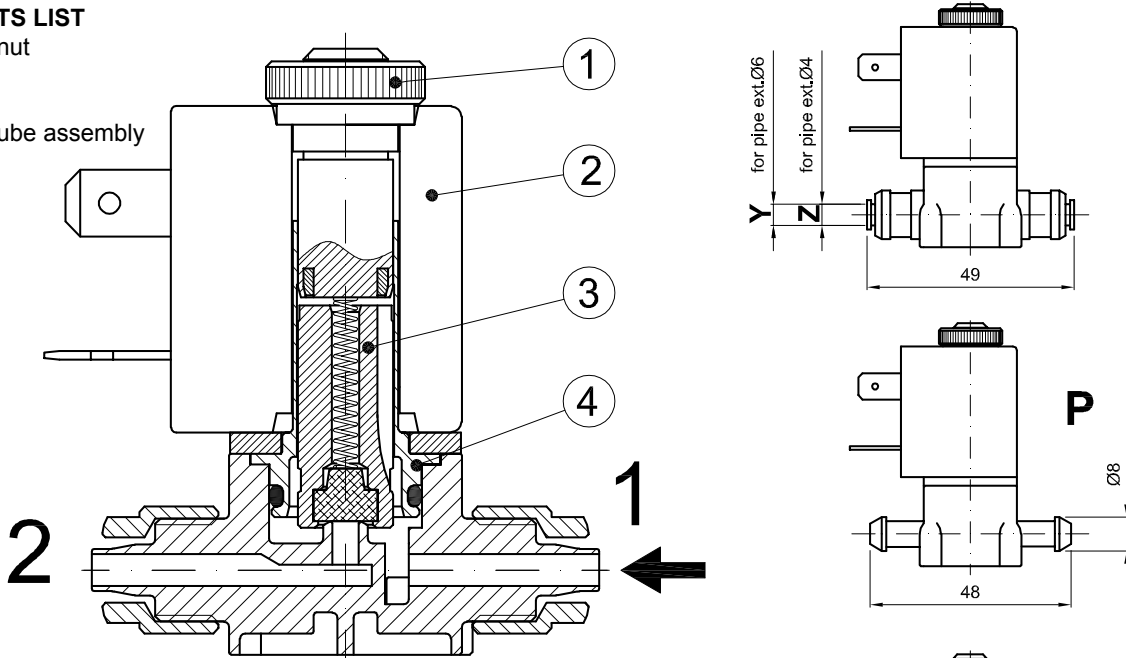
**OPTIONS**  
 Class H insulation  
 Cable attached  
 Special coil voltage  
 Special coil powers  
 CE us certified coils



(for more details see section 8)

### SPARE PARTS LIST

1. Coil fixing nut
2. Coil
3. Plunger
4. Armature tube assembly



Weight with coil series 3=0.10Kg  
 Weight with coil series 4=0.15Kg

