

DESCRIPTION

Solenoid valve 2 way normally closed
direct acting poppet type - Flange fixing

CONSTRUCTION

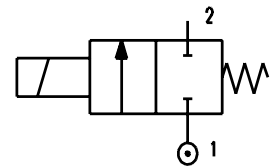
Body	Brass
Armature tube	Brass
Plunger and core	AISI 430FR
Springs	AISI 302
Seal material	NBR - FPM - EPDM



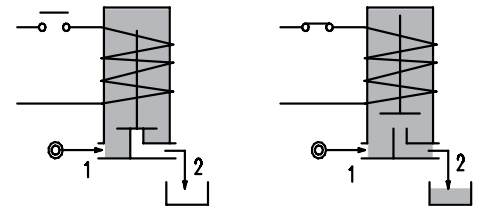
2

FEATURES

Maximum allowable pressure PS 50bar^③
Maximum fluid viscosity 25cSt (mm²/s)
Ambient temperature: from -10°C to +80°C according to the coil
Universal mounting position



OPTIONS: Stainless steel armature tube
Electroless nickel plating
Series 7 explosion proof coil according to ATEX - EExmII
 us certified coils



ON REQUEST: Versions for use with fluid temperature at -40°C

CODE ① ②	Flange □ 25	Orifice mm	Kv m ³ /h	Differential pressure bar			Nominal power			Coil		Seal ①	Temp. range °C
				Min	Max		AC Inrush	VA Holding	DC Watt	Series	Width		
					AC	DC							
E112X...12///...	□ 25	1.2	0.04	0	25	25	12	8	6,5	3	22	NBR=B EPDM=E FPM=V	-10 +90 -10 +140 -10 +140
E112X...15///...		1.5	0.06	0	16	16							
E112X...20///...		2	0.09	0	12	10							
E112X...25///...		2.5	0.14	0	8	5.5							
E112X...20///...	□ 25	2	0.09	0	25	15	15	11	5	4	30	NBR=B EPDM=E FPM=V	-10 +90 -10 +140 -10 +140
E112X...25///...		2.5	0.14	0	16	8							

① Seal Example: E112XB20///30B NBR seal
② Coil Coil 24V 50/60Hz

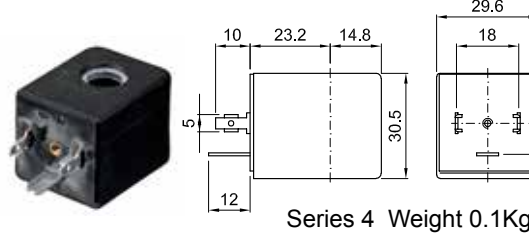
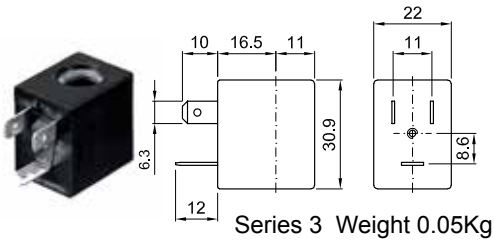
③ **REMARK**
The maximum allowable pressure PS for steam is 2.5bar (gauge pressure)

COILS	Alternating Current 50/60Hz (V)							Direct Current (V)			Electrical connection	Connectors
	12	24	48	110	220 230	240	380	12	24	48		
Series 3 Width 22 Code ②	30A	30B	30C	30D	30E	30F	30G	300	301	302	DIN 46244	PG9 code 10348000
Series 4 Width 30 Code ②	40A	40B	40C	40D	40E	40F	40G	400	401	402	DIN 43650A	PG9 code 10349000

DESCRIPTION
 Class F insulation
 Voltage tolerance
 AC +15% -10%
 DC ± 10%
 Protection class
 IP65 with connector fitted
 IP00 without connector
 Continuous service
 ED100%

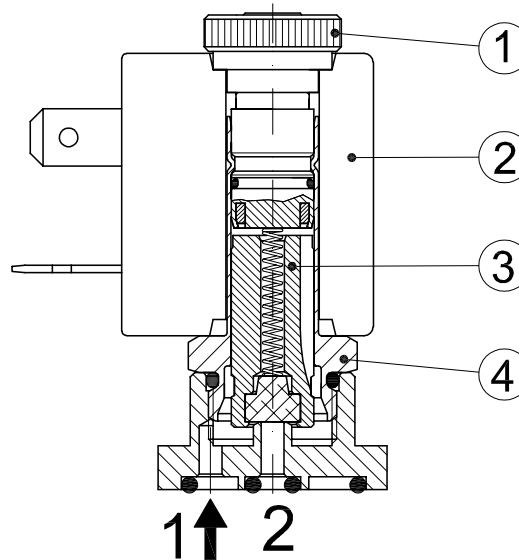
OPTIONS
 Class H insulation
 Cable attached
 Special coil voltage
 Special coil powers
 us certified coils

(for more details see section 8)

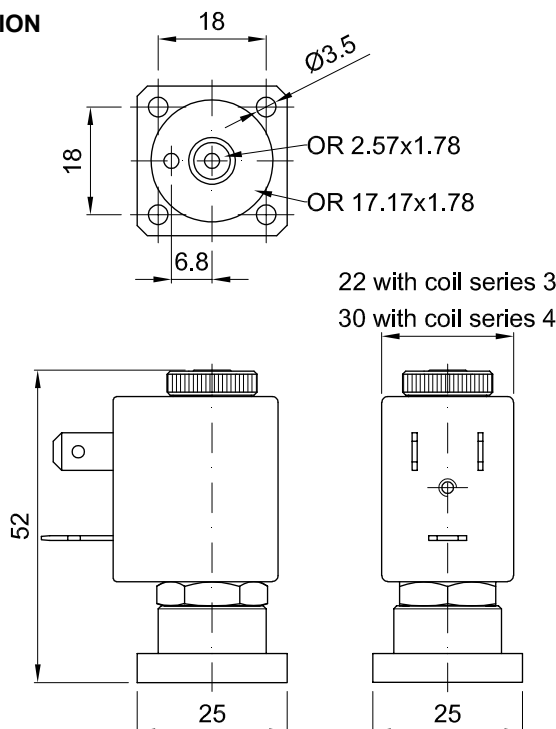


SPARE PARTS LIST

1. Coil fixing nut
2. Coil
3. Plunger
4. Armature tube assembly



OVERALL DIMENSION



Weight with coil series 3=0.12Kg
 Weight with coil series 4=0.17Kg